

Mini (7/8) 5 pole, Male (Ext.) 90° w/ Cable,

PUR, UL/CSA, 5x16AWG, black, 1.5m

Male 90°

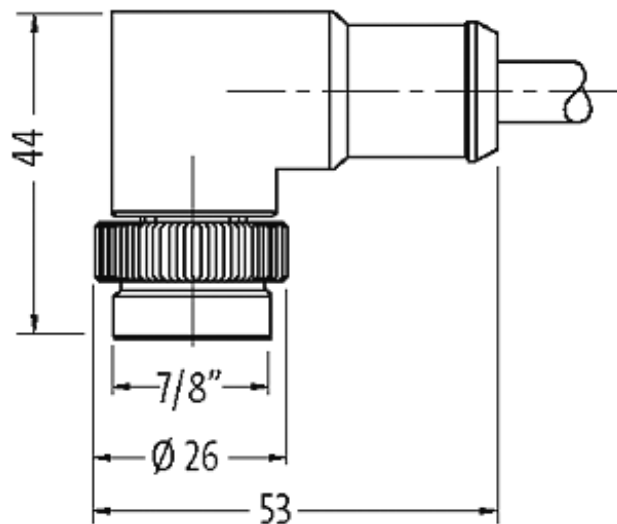
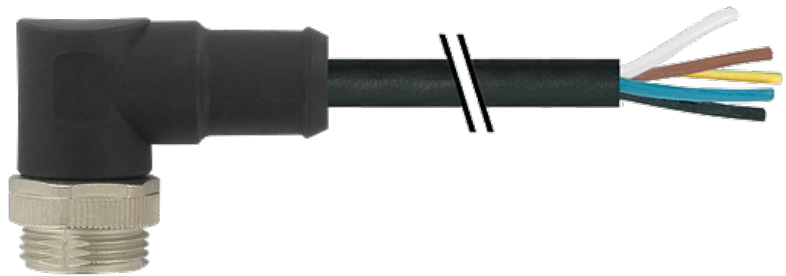
7/8", 5-pole

Power cable

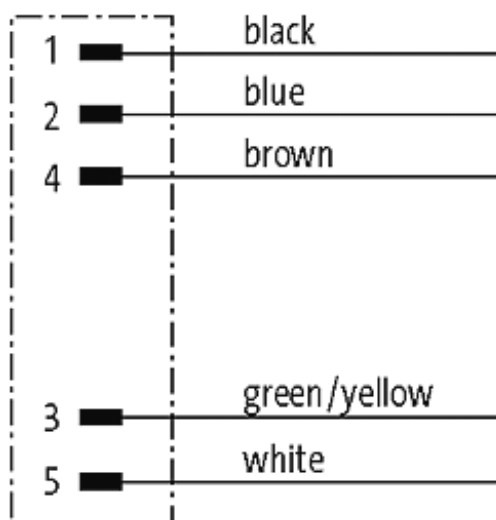
USA

without cable sleeves

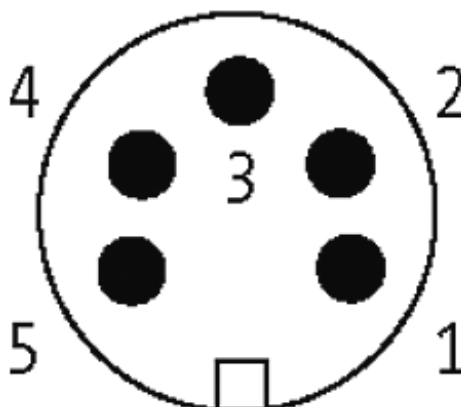
Further cable lengths on request. Plastic housings with good resistance against chemicals and oils. The resistance to aggressive media should be individually tested for your application. Further details on request.

[Link to Product](#)**Illustration**

stay connected



Male



Product may differ from Image

Approvals



* only for products with UL/CSA approved cable

Form

Form A5011

Cables

Cable number	UMD
No./diameter of wires	5 × 1.5 mm ²
Construction (core)	2.3 mm ±5%
Wire isolation	TPM (br, wh, bl, bk, gnye)
C-track properties	5 Mio.
Jacket Color	black
Material (jacket)	PUR (UL/CSA)

The information in this brochure has been compiled with the utmost care.

Liability for the correctness completeness and topicality of the information is restricted to gross negligence. Version: 05/19

Murrelektronik GmbH | Falkenstraße 3 | 71570 Oppenweiler | Fon +49 (71 91) 47-0 | Fax +49 (71 91) 47-491000 | shop@murrelektronik.com | shop.murrelektronik.com

Outer Ø	8.7 mm ±5%
Bend radius (fixed)	7.5 × outer Ø
Bend radius (moving)	10× outer Ø
Temperature range (fixed)	-50...+80 °C
Temperature range (mobile)	-20...+80 °C

Technical Data

Operating voltage	max. 600 V AC/DC
Rated surge voltage	4 kV
Operating current per contact	max. 9 A
No. of poles	5
LED display	no
Locking of ports	Screw thread 7/8" (recommended torque 1.5 Nm) self-securing
Compression gland	7/8" (SW24)
Protection	IP68 inserted and tightened (EN 60529)
Locking material	Zinc die casting, matte nickel plated
Material	PUR

General data

Mounting method	inserted, tightened
Pollution Degree	3
Temperature range	-25...+80 °C, depending on cable quality

Commercial data

country of origin	DE
customs tariff number	85444290
EAN	4048879641173
eClass	27279218
Packaging unit	1