

Mini (7/8) 5 pole, Male (Ext.) 90°/Female 90°,

PUR, UL/CSA, 5x16AWG, black, 3m

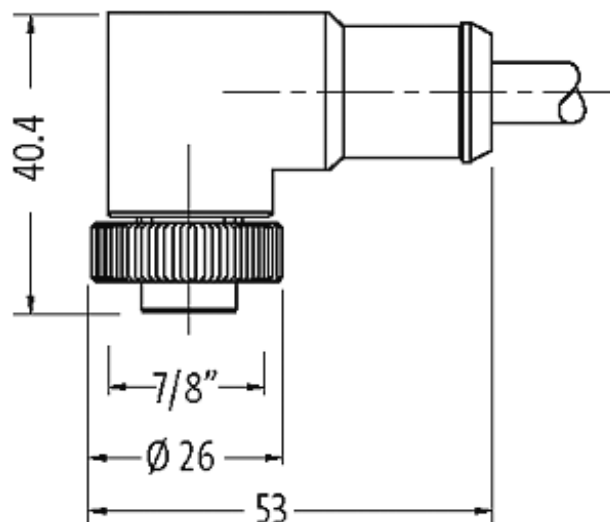
Male 90° – female 90°

7/8" – 7/8", 5-pole

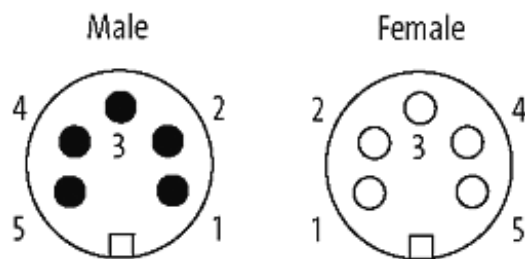
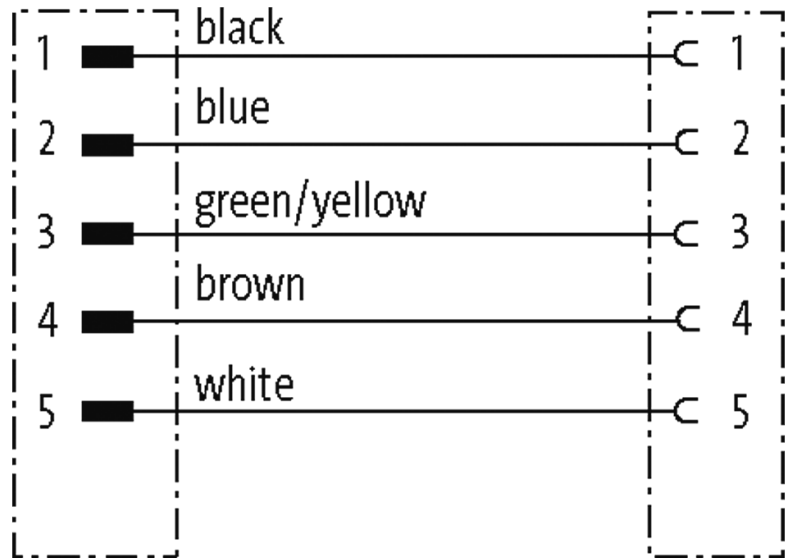
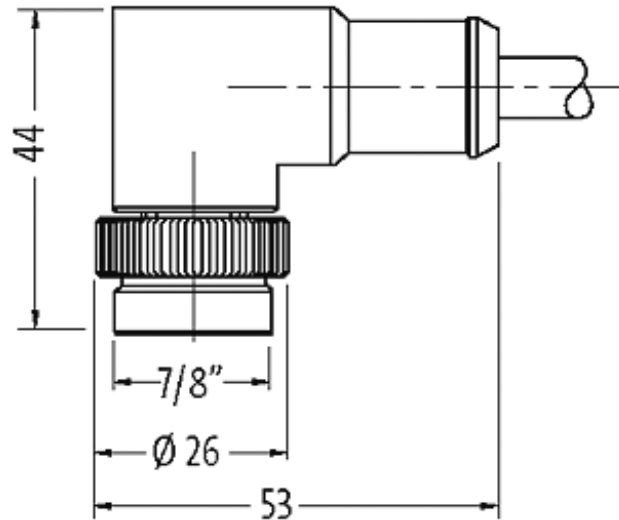
Power cable

USA

Further cable lengths on request. Plastic housings with good resistance against chemicals and oils. The resistance to aggressive media should be individually tested for your application. Further details on request.

[Link to Product](#)**Illustration**

stay connected



Product may differ from Image

Approvals



* only for products with UL/CSA approved cable

Form

Form

A5A31

Cables

| | |
|----------------------------|-----------------------------|
| Cable number | UMD |
| No./diameter of wires | 5 × 1.5 mm ² |
| Construction (core) | 2.3 mm ±5% |
| Wire isolation | T PM (br, wh, bl, bk, gnye) |
| C-track properties | 5 Mio. |
| Jacket Color | black |
| Material (jacket) | PUR (UL/CSA) |
| Outer Ø | 8.7 mm ±5% |
| Bend radius (fixed) | 7.5 × outer Ø |
| Bend radius (moving) | 10 × outer Ø |
| Temperature range (fixed) | -50...+80 °C |
| Temperature range (mobile) | -20...+80 °C |

Technical Data

| | |
|-------------------------------|-------------------------------------------------------------|
| Operating voltage | max. 600 V AC/DC |
| Operating current per contact | max. 9 A |
| Locking of ports | Screw thread 7/8" (recommended torque 1.5 Nm) self-securing |
| Compression gland | 7/8" (SW24) |
| Protection | IP68 inserted and tightened (EN 60529) |
| Locking material | Zinc die casting, matte nickel plated |
| Material | PUR |

General data

| | |
|-------------------|------------------------------------------|
| Temperature range | -25...+80 °C, depending on cable quality |
|-------------------|------------------------------------------|

Commercial data

| | |
|-----------------------|---------------|
| country of origin | DE |
| customs tariff number | 85444290 |
| EAN | 4048879635714 |
| eClass | 27279218 |
| Packaging unit | 1 |