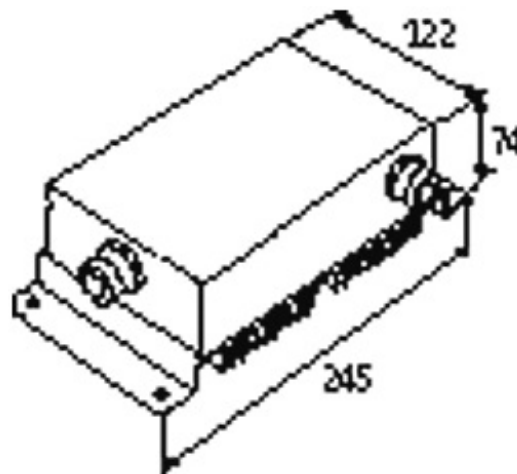


EVOLUTION67 POWER SUPPLY 1-PHASE,

IN: 90...264 V OUT: 24V/8A

OUTPUT: 24 V DC \pm 2%
 INPUT: 90...264 V AC (M12)
 Current: 8 A

[Link to Product](#)**Illustration**

Product may differ from Image

Input

Input voltage	90...264 V DC
Input current	2.4 A (115 V AC); 1.2 A (230 V AC)
Primary fusing external	max. 10 A (C)
Frequency	50...60 Hz

General data

Standards	EN 60950-1, EN 61204-3, EN 55011 A, EN 61000-3-2
Relative humidity	5...95%, no condensation

Protection	IP67 inserted and tightened (EN 60529)
Efficiency	89%
Connection	IN: M12, C-coded; OUT: 7/8"
Mounting method	screw fixing, M5
Temperature range	-25...+60 °C (storage temperature -40...+85 °C)

Output

Output voltage	24 V DC (SELV), $\pm 2\%$
Power Boost	I _{out} N × 150% (min. 4 s)
Output current	8 A (+60 °C); 6.4 A (+70 °C)
Mains failure bridging time	min. 50 ms (230 V AC); 8 A (24 V DC)
Ripple	max. 240 mVrms
Spikes	max. 240 mV p-p
Unit protection	Short-circuit and overload protected
LED display	LED (green): OK

Commercial data

country of origin	DE
customs tariff number	85044090
EAN	4048879410601
eClass	27049002
Packaging unit	1