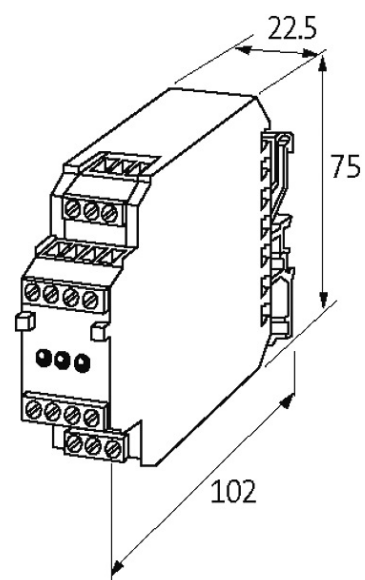
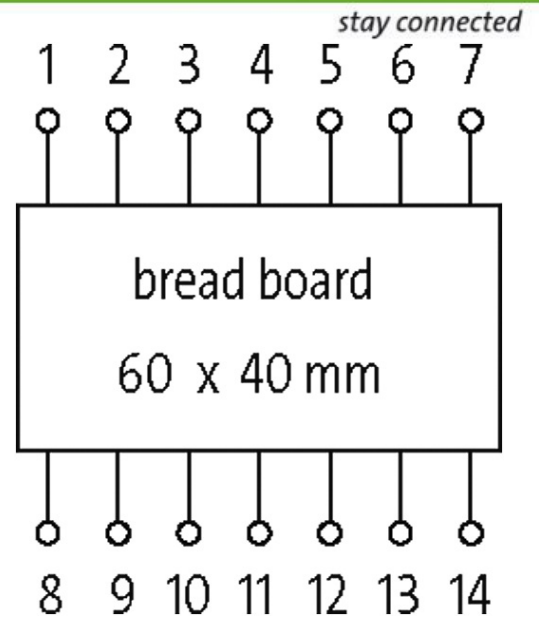


MCVO WITH BREAD BOARD

50 VAC/DC / 1,5 A

14 pairs of solder pins
with breadboard[Link to Product](#)**Illustration**



Product may differ from Image

Technical Data

Operating voltage	max. 50 V AC/DC
Operating current	max. 1.5 A

General data

Mounting method	DIN-rail mountable TH35 or G32 (EN 60715)
Connection	Screw terminals: max. 4 mm ²
Housing	Plastic, flame retardant. Housing closed, side part removable.

Commercial data

country of origin	CZ
customs tariff number	85369010
EAN	4048879040358
eClass	27182003
Packaging unit	1