

VALVE PLUG SUPPRESSOR FORM A - 18MM

With LED, 24VAC/DC/50VA/W

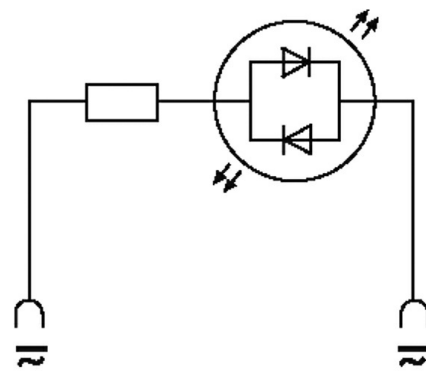
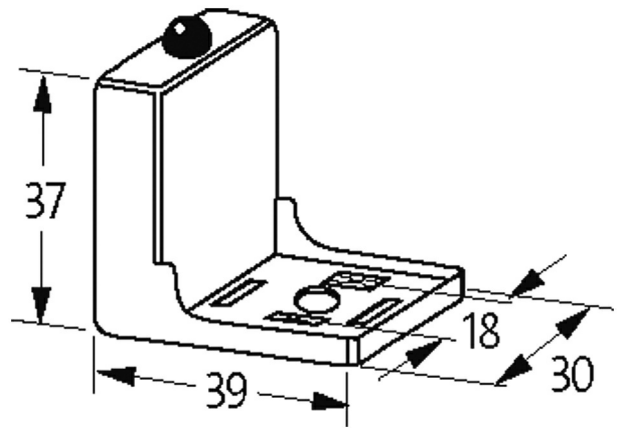
24 V AC/DC

LED

Remove plug gasket when fitting adapter. Other LED colors on request.

[Link to Product](#)

Illustration



LED

Product may differ from Image

Technical Data

max. power (W)	max. 50 W (VA)
LED display	(yellow opac)

General data

Dimensions H×W×D	37×39×30 mm
Housing	Polyamide black, flame retardant, temperature resistance up to 130 °C
Temperature range	-20...+60 °C
Material (contact)	Silvered bronze

Commercial data

country of origin	CZ
customs tariff number	85363010
EAN	4048879012300
eClass	27371013
Packaging unit	1