

VALVE PLUG SUPPRESSOR FORM A - 18MM

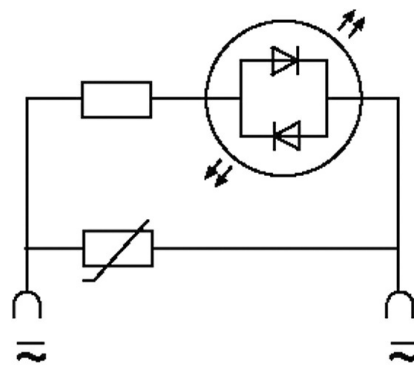
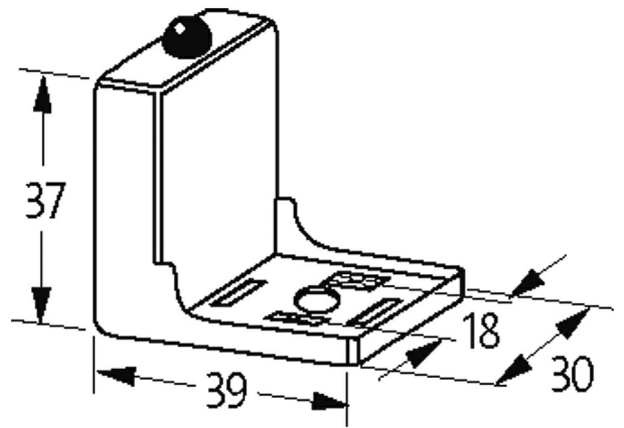
Varistor and LED, 48VAC/DC/100VA/W

48 V AC/DC
VDR + LED

Remove plug gasket when fitting adapter. Other LED colors on request.

[Link to Product](#)

Illustration



LED + VDR

Product may differ from Image

Technical Data

Switch off peak	max. 75 V
Switch off delay time	max. 10 ms
max. power (W)	max. 100 W (VA)
LED display	(yellow opac)

General data

Dimensions H×W×D	37×39×30 mm
Housing	Polyamide black, flame retardant, temperature resistance up to 130 °C
Temperature range	-20...+60 °C

Material (contact) Silvered bronze

Commercial data

country of origin	CZ
customs tariff number	85363010
EAN	4048879012195
eClass	27371013
Packaging unit	1