

VALVE PLUG SUPPRESSOR FORM A - 18MM

RC and LED, 24VAC/DC/10VA/W

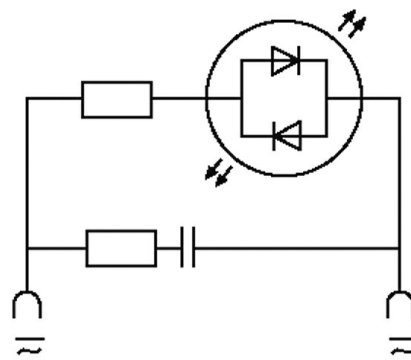
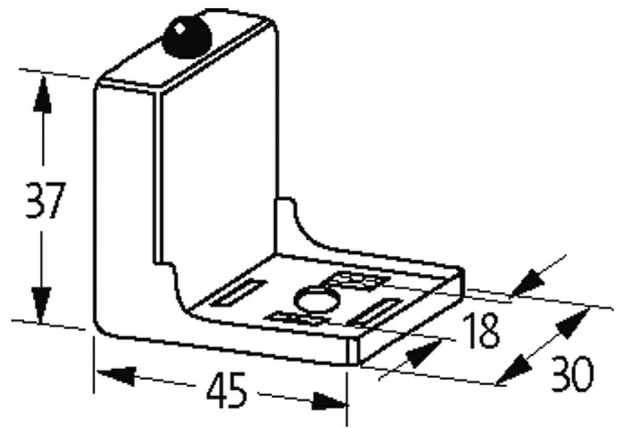
24 V AC/DC

RC + LED

Remove plug gasket when fitting adapter. Other LED colors on request.

[Link to Product](#)

Illustration



LED + RC

Product may differ from Image

Technical Data

Switch off peak	max. 105 V
Switch off delay time	max. 20 ms
max. power (W)	max. 10 W (VA)
LED display	(yellow opac)

General data

Dimensions H×W×D	37×45×30 mm
Housing	Polyamide black, flame retardant, temperature resistance up to 130 °C
Temperature range	-20...+60 °C

Material (contact) Silvered bronze

Commercial data

country of origin	CZ
customs tariff number	85363010
EAN	4048879012157
eClass	27371013
Packaging unit	1