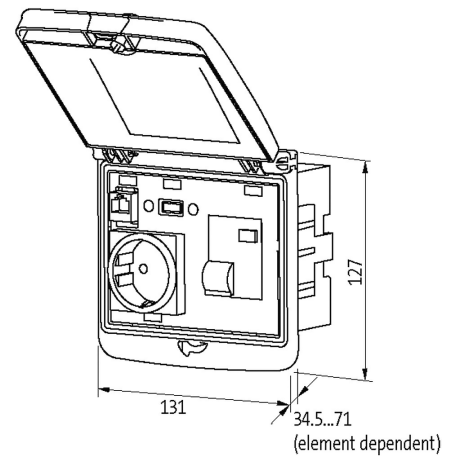


MODLINK MSDD FRAME DBL GRAY

Closure 3 mm double bit incl. pluggable knob

Frame: plastic PA black
 Lid: plastic, PBT gray
 Closure: 3 mm double bit
 with attachable rotation knob

[Link to Product](#)**Illustration**

Product may differ from Image

Approvals**General data**

Dimensions H×W×D 127×131×43 mm

Frame

suitable for mounting with wall thickness 1...5 mm

Protection	IP65
Housing	Frame: plastic PA black, cap: plastic PBT gray
Temperature range	-30...+70 °C (storage temperature -30...+80 °C)
Commercial data	
country of origin	DE
customs tariff number	85389099
EAN	4048879368889
eClass	27144001
Packaging unit	1