

MET 1-PHASE CONTROL AND ISOLATION TRANSFORMER

P: 500VA IN: 240-415VAC OUT: 110-110-20VAC

Single-phase - Control and Isolation Transformers
 500 VA
 Spring clamp terminals
 Isolation class T 60/B

[Link to Product](#)**Illustration**

Product may differ from Image

Approvals**General data**

Standards	EN 61558-1, EN 61558-2-4, EN 62041 category 0
Test isolation voltage	4 kV (prim./sec.)
Mounting method	Key-hole mounting
Dimensions H×W×D	112.6×150×170 mm
Fixing centers a×b×c	90×122×7 mm
Drill hole Ø	7×11 mm
Temperature range	-20...+60 °C (storage temperature -40...+80 °C)

Output

Output voltage	110/240 V AC
Output rating	500 VA

Input

Input voltage	240/415 V AC
Input current	2.3 A (240 V AC); 1.36 A (415 V AC)
Short-circuit current	51.33 A (240 V AC); 29.7 A (415 V AC)
Inrush current	58.3 A (240 V AC); 33.6 A (415 V AC)
Frequency	50...60 Hz

Commercial data

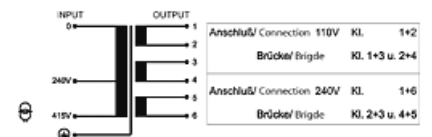
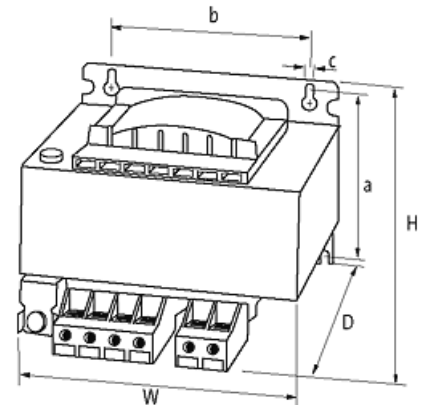
The information in this brochure has been compiled with the utmost care.

Liability for the correctness completeness and topicality of the information is restricted to gross negligence. Version: 02/21

Murrelektronik GmbH | Falkenstraße 3 | 71570 Oppenweiler | Fon +49 (71 91) 47-0 | Fax +49 (71 91) 47-491000 | shop@murrelektronik.com | shop.murrelektronik.com

country of origin	CZ
customs tariff number	85043180
EAN	4048879066501
eClass	27031302
Packaging unit	1

Sketch



Product may differ from Image