

## MET 1-PHASE CONTROL AND ISOLATION TRANSFORMER

P: 800VA IN: 240-415VAC OUT: 110-110-20VAC

Single-phase - Control and Isolation Transformers  
800 VA  
Spring clamp terminals  
Isolation class T 60/B

### [Link to Product](#)

#### Illustration



Product may differ from Image

#### Approvals



#### General data

Standards	EN 61558-1, EN 61558-2-4, EN 62041 category 0
Test isolation voltage	4 kV (prim./sec.)
Mounting method	Key-hole mounting
Dimensions H×W×D	118×174×148 mm
Fixing centers a×b×c	92×135×7 mm
Drill hole Ø	7×11 mm
Temperature range	-20...+60 °C (storage temperature -40...+80 °C)

#### Output

Output voltage	110/240 V AC
Output rating	800 VA

#### Input

Input voltage	240/415 V AC
Input current	3.75 A (240 V AC); 2.15 A (415 V AC)
Short-circuit current	87.8 A (240 V AC); 50.4 A (415 V AC)
Inrush current	92.8 A (240 V AC); 49.12 A (415 V AC)
Frequency	50...60 Hz

#### Commercial data

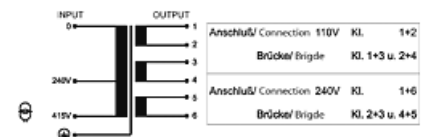
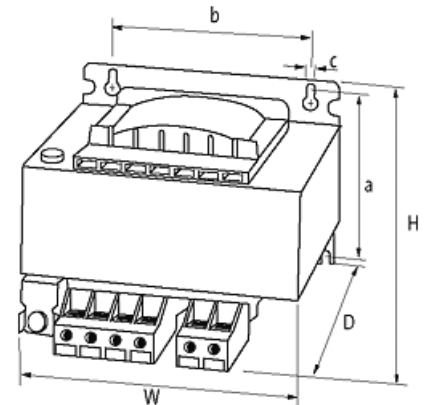
The information in this brochure has been compiled with the utmost care.

Liability for the correctness completeness and topicality of the information is restricted to gross negligence. Version: 02/21

Murrelektronik GmbH | Falkenstr. 3 | 71570 Oppenweiler | Fon +49 (71 91) 47-0 | Fax +49 (71 91) 47-491000 | shop@murrelektronik.com | shop.murrelektronik.com

country of origin	CZ
customs tariff number	85043180
EAN	4048879066402
eClass	27031302
Packaging unit	1

### Sketch



Product may differ from Image