

MST 1-PHASE CONTROL AND ISOLATION TRANSFORMER

P: 400VA IN: 230/400VAC OUT: 230VAC

Single-phase - Control and Isolation Transformers
 400 VA
 Spring clamp terminals
 Isolation class T 40/B
 Other voltages on request.

[Link to Product](#)**Illustration**

Product may differ from Image

Approvals**General data**

Standards	EN 61558-1, EN 61558-2-4, EN 62041 category 0
Test isolation voltage	4 kV (prim./sec.)
Mounting method	Key-hole mounting
Temperature range	-20...+40 °C (storage temperature -40...+80 °C)
Dimensions H×W×D	104.2×120×123 mm
Fixing centers a×b×c	86.5×90×5.8 mm
Drill hole Ø	5.8×10 mm

Output

Output voltage	230 V AC
Output rating	400 VA

Input

Input voltage	230/400 V AC
Frequency	50...60 Hz
Input current	1.95 A (230 V AC); 1.1 A (400 V AC)
Inrush current	52.3 A (230 V AC); 30.2 A (400 V AC)
Short-circuit current	43 A (230 V AC); 24.9 A (400 V AC)

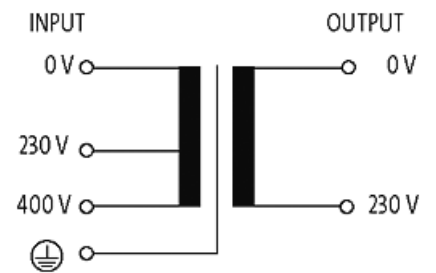
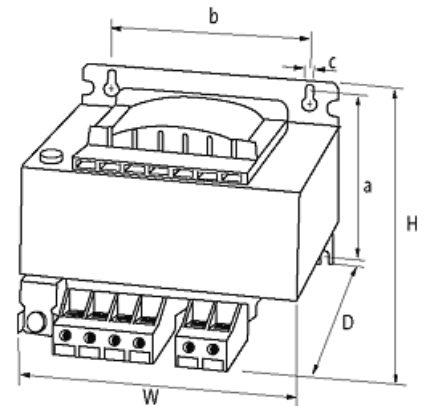
The information in this brochure has been compiled with the utmost care.

Liability for the correctness completeness and topicality of the information is restricted to gross negligence. Version: 02/21

Murrelektronik GmbH | Falkenstraße 3 | 71570 Oppenweiler | Fon +49 (71 91) 47-0 | Fax +49 (71 91) 47-491000 | shop@murrelektronik.com | shop.murrelektronik.com

Commercial data

country of origin	CZ
customs tariff number	85043180
EAN	4048879066235
eClass	27031302
Packaging unit	1

Sketch

Product may differ from Image