

**M8 female 0° SnapIn with cable**

PUR 5x0.25 bk UL 7.5m

Female straight

Snap In

M8, 5-pole

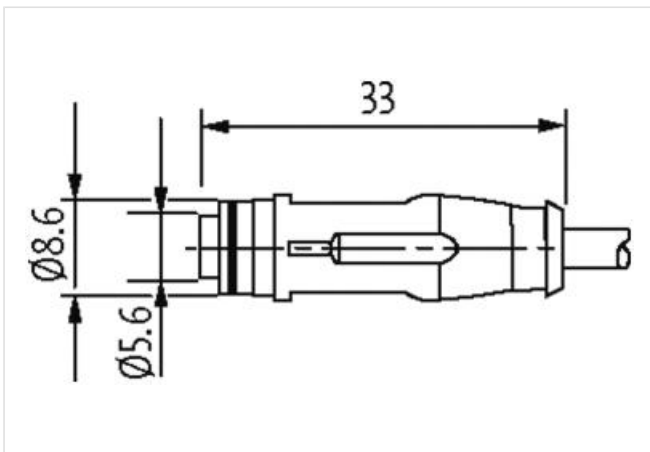
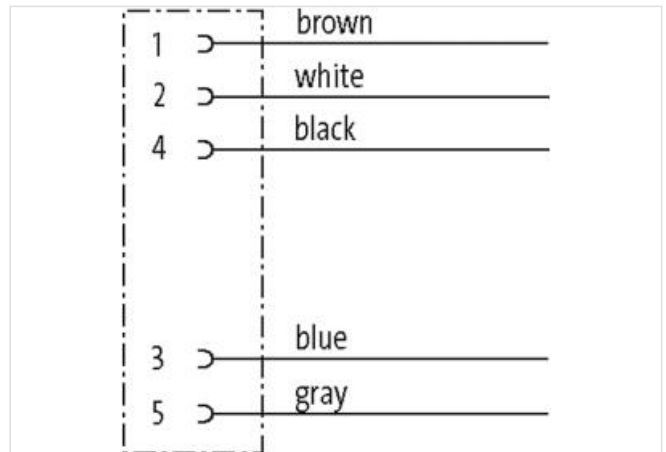
B-coded

with cable sleeves

Plastic housings with good resistance against chemicals and oils.

The resistance to aggressive media should be individually tested for your application. Further details on request.

Further cable lengths on request.

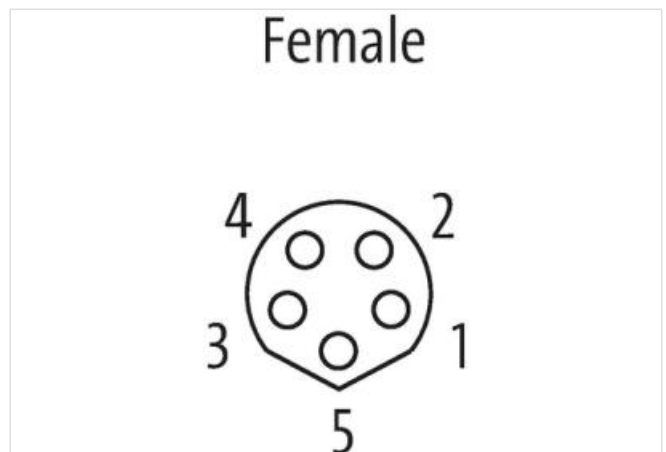
**[Link to Product](#)****Illustration**

Product may differ from Image

**Form**

Form

08945



Technical Data	
Operating voltage	max. 30 V AC/DC
Operating current per contact	max. 3 A
No. of poles	5
Coding	B-coded
Mating cycles	≥ 100
LED display	no
Locking of ports	Snap-in connector
Protection	IP67
Material	TPU
Compression gland	M8 Snap In
Isolation resistance	> 100 MΩ
General data	
Mounting method	inserted
Material (contact)	Copper alloy
Pollution Degree	3/2
Temperature range	-30...+80 °C
Cables	
Cable identification	695
Material (wire)	Cu wire, bare
Resistor (core)	max. 58 Ω/km (20 °C)
Single wire Ø (core)	0.1 mm
Construction (core)	32× 0.1 mm (multi-strand wire class 6)
Diameter (core)	5× 0.25 mm <sup>2</sup>
AWG	similar to AWG 24
Material (wire isolation)	PP
Wire-Ø incl. isolation	1.2 mm ±5%
Stranding combination	5 wires twisted around central filler
Shield	no
Material (jacket)	PUR
Outer-Ø (jacket)	4.7 mm ±5%
Color (jacket)	black
Nominal voltage	300 V
Test voltage	3000 V AC
Temperature range (fixed)	-25...+80 °C
Temperature range (mobile)	-10...+80 °C
Bend radius (moving)	7.5× outer Ø
No. of bending cycles (C-track)	max. 5 Mio. (25 °C)
Travel speed (C-track)	max. 3 m/s
Acceleration (C-track)	max. 5 m/s <sup>2</sup>
Product article number of manufacturer	7000-08945-6950750
Cable length	7,5 m