

M12 female 0° shielded B-cod. with cable, Profibus

PUR 1x2xAWG24 shielded vt UL/CSA+dragchain 0.3m

PROFIBUS

Female straight

M12, 2-pole

B-coded

shielded

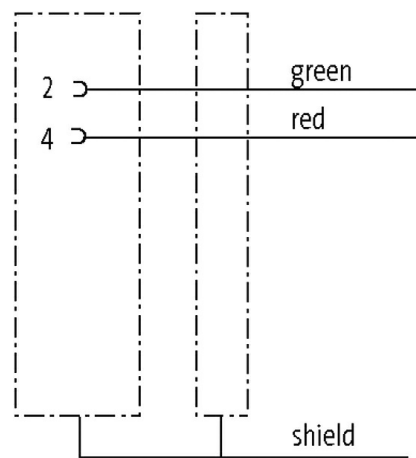
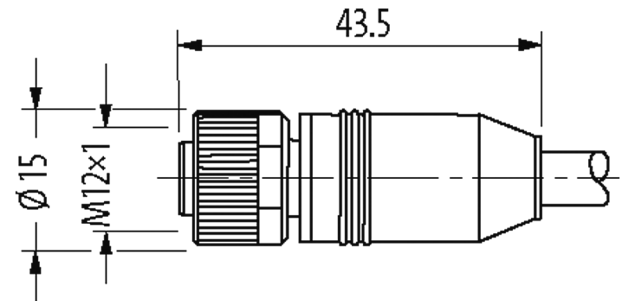
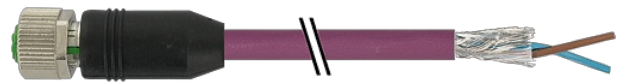
Plastic housings with good resistance against chemicals and oils.

The resistance to aggressive media should be individually tested for your application. Further details on request.

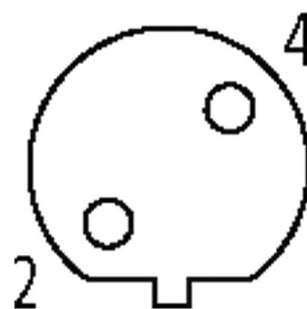
Further cable lengths on request.

[Link to Product](#)

Illustration

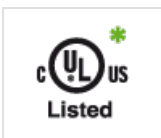


Female



Product may differ from Image

Approvals



* only for products with UL/CSA approved cable

cCSAus

More Info

**Form**

Form 14061

Technical Data

Operating voltage max. 60 V AC/DC

Operating voltage (only UL listed) max. 30 V AC/DC

Rated surge voltage 1.5 kV

Operating current per contact max. 4 A

Material group IEC 60664-1, category I

Coding B-coded

Locking of ports Screw thread (M12×1 mm) recommended torque 0.6 Nm, self-securing

Compression gland M12 (SW13)

Protection IP65, IP66K, IP67 inserted and tightened (EN 60529)

Locking material Zinc die casting, matte nickel plated

Material PUR

General data

Standards DIN EN 61076-2-101 (M12)

Pollution Degree 3

Stripping length (jacket) 20 mm

Temperature range -25...+85 °C, depending on cable quality

CablesNo./diameter of wires 1 × 2 × 0.25 mm²

Wire isolation PE (rd, gn)

C-track properties 10 Mio.

Jacket Color violet

Material (jacket) PUR (UL/CSA)

Outer Ø 7.8 mm ±5%

Bend radius (moving) 12 × outer Ø

Temperature range (fixed) -40...+80 °C

Temperature range (mobile) -20...+60 °C

Cable identification 840

Approval (cable) UL (AWM-Style 20236/1589), CSA; CE

Cable weight [g/m] 82,50

Material (wire) Cu wire, bare

Resistor (core) max. 78 Ω/km (20 °C)

Single wire Ø (core) 0.127 mm

Construction (core) 19 × 0.127 mm

Diameter (core) 1 × 2 × 0.25 mm²

AWG similar to AWG 24

Material (wire isolation) PE

Wire-Ø incl. isolation 2.55 mm ±5%

Color/numbering of wires rd, gn

Stranding combination 2 wires twisted

Shield yes

optical shield cover	min. 70%
Material (jacket)	PUR
Outer-Ø (jacket)	7.8 mm ±5%
Color (jacket)	violet
chemical resistance	good resistance to oil, gasoline and chemicals
thermal resistance	flame retardant
Nominal voltage	250 V
Temperature range (fixed)	-40...+80 °C
Temperature range (mobile)	-20...+60 °C
Bend radius (fixed)	10× outer Ø
Bend radius (moving)	12× outer Ø
No. of bending cycles (C-track)	max. 10 Mio. (25 °C)
Traversing distance (C-track)	max. 5 m (horizontal)
Travel speed (C-track)	max. 3 m/s
Acceleration (C-track)	max. 5 m/s ²

Commercial data

country of origin	DE
customs tariff number	85444290
EAN	4048879198264
eClass	27061801
Packaging unit	1