

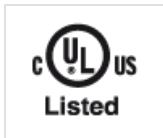
M12-M12 ADAPTER FOR CUBE67+

For external actor power

Cube67
Adapter
Male - female
M12 – M12, 6-pole
2-pole used
Actuator supply external

[Link to Product](#)**Illustration**

Product may differ from Image

Approvals**Form**

Form 15051

Technical Data

Operating voltage	max. 30 V AC/DC
Operating voltage (only UL listed)	max. 30 V AC/DC
Rated surge voltage	0.8 kV
Operating current per contact	max. 4 A
Locking of ports	Screw thread (M12×1 mm) recommended torque 0.6 Nm, self-securing
Protection	IP66K, IP67 inserted and tightened (EN 60529)
Material	PUR
Locking material	Zinc die casting, matte nickel plated

General data

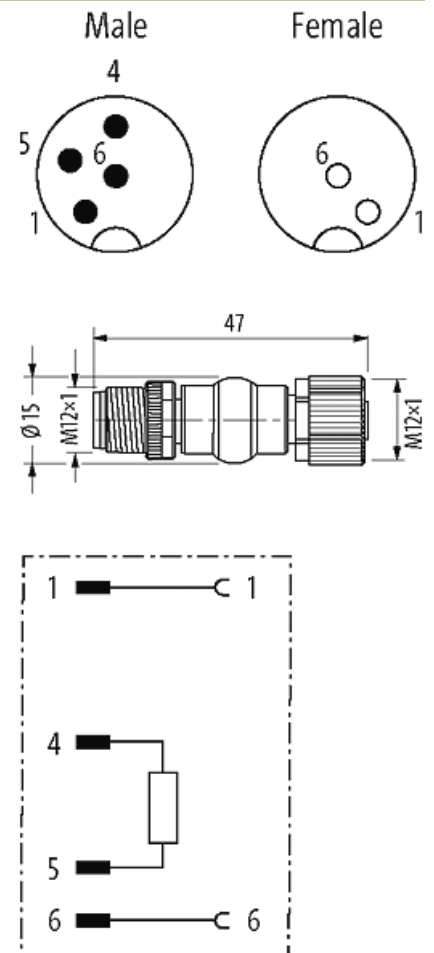
Temperature range	-25...+85 °C
Test isolation voltage	0.8 kV eff/rms

Commercial data

country of origin	DE
customs tariff number	85366990
EAN	4048879419086
eClass	27061801

Packaging unit

1

Sketch

Product may differ from Image