

**M12 male 0° / M12 female 90° A-cod.**

PVC 5x0.34 ye UL/CSA 2.5m

Male straight – female 90°

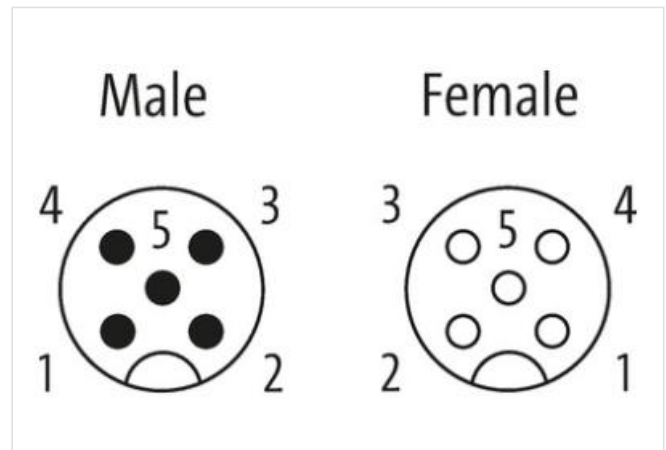
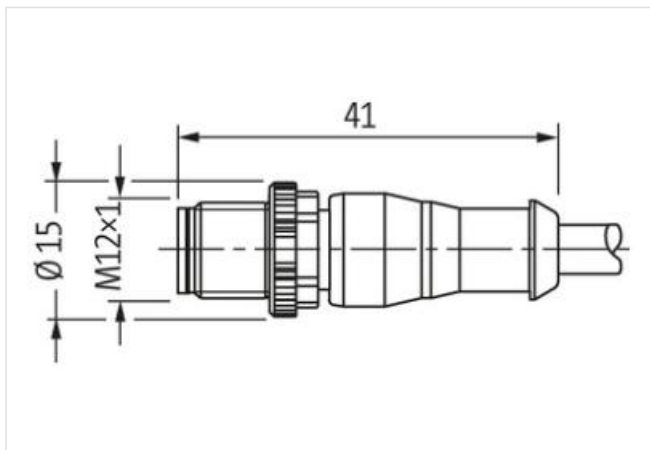
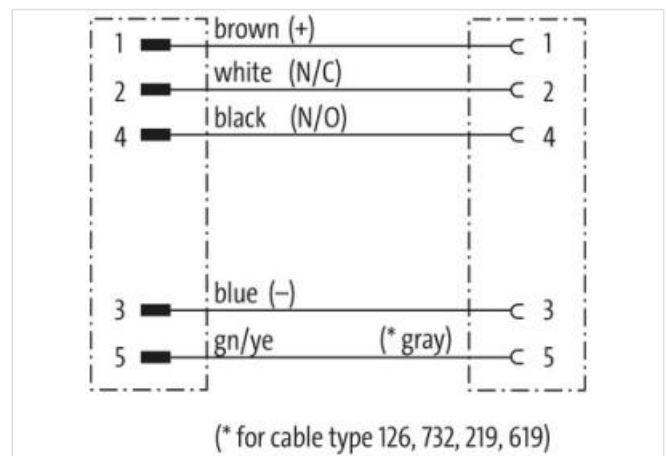
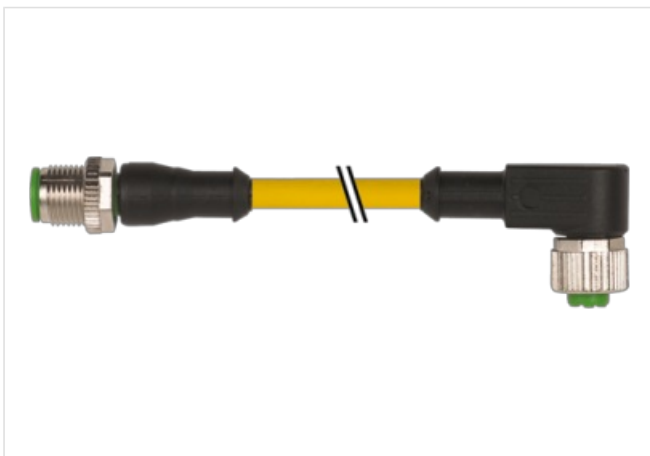
M12 – M12, 5-pole

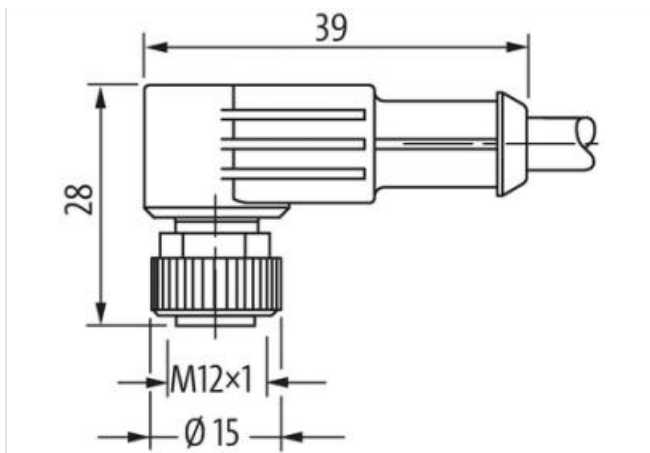
Art-No. 7005 - M12 Lite - (plastic hexagonal screw) on request

Plastic housings with good resistance against chemicals and oils.

The resistance to aggressive media should be individually tested for your application. Further details on request.

Further cable lengths on request.

[Link to Product](#)**Illustration**



Product may differ from Image



\* only for products with UL/CSA approved cable

| Form                                      |  |
|---|--|
| Form                                      | 40141  |
| Technical Data                            |  |
| Operating voltage                         | max. 125 V AC/DC   |
| Operating voltage (only UL listed)        | max. 30 V AC/DC  |
| Rated surge voltage                       | 1.5 kV   |
| Operating current per contact             | max. 4 A   |
| Material group                            | IEC 60664-1, category I  |
| Coding                                    | A-coded  |
| Locking of ports                          | Screw thread (M12×1 mm) recommended torque 0.6 Nm, self-securing |
| Protection                                | IP65, IP66K, IP67 inserted and tightened (EN 60529)              |
| Material                                  | PUR  |
| Locking material                          | Zinc die casting, matte nickel plated                            |
| suitable for corrugated tube (internal Ø) | 10 mm  |
| Compression gland                         | M12 (SW13)   |
| General data                              |  |
| Standards                                 | DIN EN 61076-2-101 (M12)   |
| Pollution Degree                          | 3  |
| Temperature range                         | -25...+85 °C, depending on cable quality                         |
| Cables                                    |  |
| No./diameter of wires                     | 5 × 0.34 mm <sup>2</sup>   |
| Wire isolation                            | PVC (br, wh, bl, bk, gnye)                                       |
| Outer Ø                                   | 5.2 mm ±5%   |
| Cable identification                      | 015  |
| Cable Type                                | 1 (PVC)  |
| Approval (cable)                          | UL (AWM-Style 2464/1731), CSA                                    |
| Cable weight [g/m]                        | 48,4 g   |
| Material (wire)                           | Cu wire, bare  |
| Resistor (core)                           | max. 60 Ω/km (20 °C)   |

The information in this brochure has been compiled with the utmost care.

Liability for the correctness completeness and topicality of the information is restricted to gross negligence. Version: 2022-12-30

Murrelektronik GmbH | Falkenstr. 3 | 71570 Oppenweiler | Fon +49 (71 91) 47-0 | Fax +49 (71 91) 47-491000 | shop@murrelektronik.com | shop.murrelektronik.com

|  |  |
|--|--|
| Single wire Ø (core)                   | 0.15 mm  |
| Construction (core)                    | 19× 0.15 mm (multi-strand wire class 5)        |
| Diameter (core)                        | 5× 0.34 mm <sup>2</sup>                        |
| AWG                                    | similar to AWG 22                              |
| Material (wire isolation)              | PVC  |
| Material property (wire isolation)     | CFC-, cadmium-, silicone- and lead-free        |
| Shore hardness (wire isolation)        | 45 ±5 D  |
| Wire-Ø incl. isolation                 | 1.25 mm ±5%                                    |
| Color/numbering of wires               | br, bk, bl, wh, gnye longitudinally striped    |
| Stranding combination                  | 5 wires twisted around central filler          |
| Shield                                 | no   |
| Material (jacket)                      | PVC  |
| Material property (jacket)             | CFC-, cadmium-, silicone- and lead-free        |
| Shore hardness (jacket)                | 85 ±5 A  |
| Outer-Ø (jacket)                       | 5.2 mm ±5%                                     |
| Color (jacket)                         | yellow   |
| Jacket Color                           | yellow   |
| chemical resistance                    | good resistance to oil, gasoline and chemicals |
| thermal resistance                     | flame retardant UL 1581 VW1 / CSA FT1          |
| Nominal voltage                        | UL 300 V AC                                    |
| Test voltage                           | 2000 V AC                                      |
| Current load capacity                  | to DIN VDE 0298-4                              |
| Temperature range (fixed)              | -30...+80 °C                                   |
| Temperature range (fixed)              | -30...+80 °C                                   |
| Temperature range (mobile)             | -5...+80 °C                                    |
| Temperature range (mobile)             | -5...+80 °C                                    |
| Bend radius (fixed)                    | 5× outer Ø                                     |
| Bend radius (moving)                   | 10× outer Ø                                    |
| Bend radius (moving)                   | 10× outer Ø                                    |
| Material (jacket)                      | PVC (UL/CSA)                                   |
| Product article number of manufacturer | 7000-40141-0150250                             |
| Cable length                           | 2,5 m  |