

**M12 MALE 0° / MSUD VALVE PLUG FORM A 18MM**

PUR 5X0.34 black UL/CSA, drag ch 10m

**MSUD**

Form A (18 mm) – M12, male straight

24 V DC  $\pm 25\%$ 

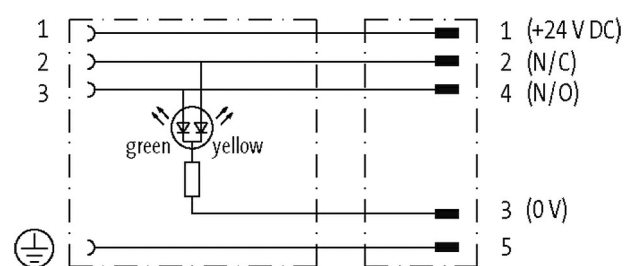
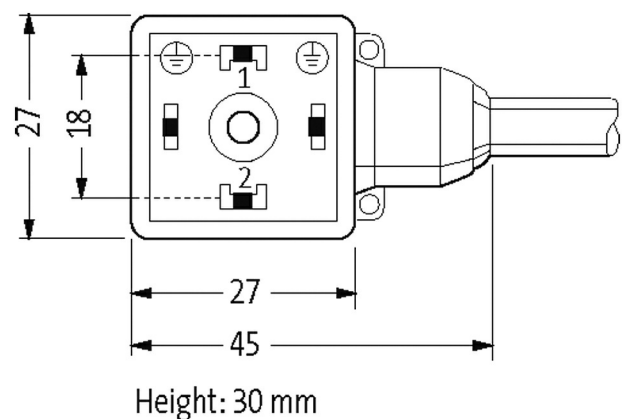
LED (yellow/green)

for pressure switches

Further cable lengths on request.

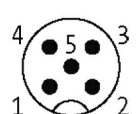
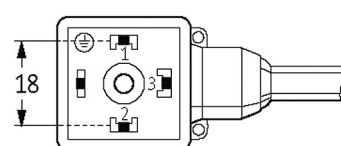
Plastic housings with good resistance against chemicals and oils.

The resistance to aggressive media should be individually tested for your application. Further details on request.

[Link to Product](#)**Illustration**

Female

Male



Product may differ from Image

**Approvals**

The information in this brochure has been compiled with the utmost care.

Liability for the correctness completeness and topicality of the information is restricted to gross negligence. Version: 02/21

Murrelektronik GmbH | Falkenstraße 3 | 71570 Oppenweiler | Fon +49 (71 91) 47-0 | Fax +49 (71 91) 47-491000 | shop@murrelektronik.com | shop.murrelektronik.com

cCSAus

\* only for products with UL/CSA approved cable

**Form**

Form 40931

**Technical Data**

|                                                        |                                                      |
|--------------------------------------------------------|------------------------------------------------------|
| Operating voltage                                      | 24 V DC $\pm$ 25%                                    |
| Rated surge voltage                                    | 0.8 kV                                               |
| Operating current per contact                          | max. 4 A                                             |
| Current consumption                                    | max. 15 mA                                           |
| Material group                                         | IEC 60664-1, category I                              |
| Coding                                                 | A-coded                                              |
| LED display                                            | (yellow/green)                                       |
| Locking of ports                                       | M3/M12 $\times$ 1 mm (recommended torque 0.4/0.6 Nm) |
| Compression gland                                      | M12 (SW13)                                           |
| Protection                                             | IP67 inserted and tightened (EN 60529)               |
| Locking material                                       | Zinc die casting, matte nickel plated                |
| Material                                               | MSUD (PBT); M12 (PUR)                                |
| suitable for corrugated tube (internal $\varnothing$ ) | 10 mm                                                |
| Housing                                                | Black plastic (gray on request)                      |

**General data**

|                   |                                          |
|-------------------|------------------------------------------|
| Pollution Degree  | 3                                        |
| Temperature range | -25...+85 °C, depending on cable quality |
| Material (gasket) | PUR                                      |

**Cables**

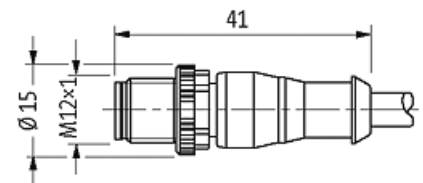
|                                     |                                                   |
|-------------------------------------|---------------------------------------------------|
| No./diameter of wires               | 5 $\times$ 0.34 mm <sup>2</sup>                   |
| Wire isolation                      | PP (br, wh, bl, bk, gnye)                         |
| C-track properties                  | 10 Mio.                                           |
| Material (jacket)                   | PUR (UL/CSA)                                      |
| Outer $\varnothing$                 | 4.8 mm $\pm$ 5%                                   |
| Bend radius (moving)                | 10 $\times$ outer $\varnothing$                   |
| Temperature range (fixed)           | -40...+80 °C                                      |
| Temperature range (mobile)          | -25...+80 °C                                      |
| Cable identification                | 635                                               |
| Cable Type                          | 3 (PUR)                                           |
| Approval (cable)                    | cURus (AWM-Style 20549/10493); CE conform         |
| Cable weight [g/m]                  | 41,80                                             |
| Material (wire)                     | Cu wire, bare                                     |
| Resistor (core)                     | max. 57 $\Omega$ /km (20 °C)                      |
| Single wire $\varnothing$ (core)    | 0.1 mm                                            |
| Construction (core)                 | 42 $\times$ 0.1 mm (multi-strand wire class 6)    |
| Diameter (core)                     | 5 $\times$ 0.34 mm <sup>2</sup>                   |
| AWG                                 | similar to AWG 22                                 |
| Material (wire isolation)           | PP                                                |
| Material property (wire isolation)  | CFC-, halogen-, cadmium-, silicone- and lead-free |
| Shore hardness (wire isolation)     | 70 $\pm$ 5 D                                      |
| Wire- $\varnothing$ incl. isolation | 1.25 mm $\pm$ 5%                                  |
| Color/numbering of wires            | br, bk, bl, wh, gnye longitudinally striped       |
| Stranding combination               | 5 wires twisted around central filler             |

|                                 |                                                                                                                                                        |
|---------------------------------|--------------------------------------------------------------------------------------------------------------------------------------------------------|
| Shield                          | no                                                                                                                                                     |
| Material (jacket)               | PUR                                                                                                                                                    |
| Material property (jacket)      | CFC-, halogen-, cadmium-, silicone- and lead-free, matt, low-adhesion, machine easy to process, abrasion-resistant, hydrolysis and microbial resistant |
| Shore hardness (jacket)         | 90 ±5 A                                                                                                                                                |
| Outer-Ø (jacket)                | 4.8 mm ±5%                                                                                                                                             |
| Color (jacket)                  | black                                                                                                                                                  |
| chemical resistance             | good resistance to oil, gasoline and chemicals (EN 60811-404)                                                                                          |
| thermal resistance              | flame retardand UL 1581 Section 1090 (H), CSA FT2 / IEC 60332-2-2                                                                                      |
| Nominal voltage                 | 300 V AC                                                                                                                                               |
| Test voltage                    | 2500 V AC                                                                                                                                              |
| Current load capacity           | to DIN VDE 0298-4                                                                                                                                      |
| Temperature range (fixed)       | -40...+80 °C, (+90 °C at max. 10 000 operating hours)                                                                                                  |
| Temperature range (mobile)      | -25...+80 °C, (+90 °C at max. 10 000 operating hours)                                                                                                  |
| Bend radius (fixed)             | 5× outer Ø                                                                                                                                             |
| Bend radius (moving)            | 10× outer Ø                                                                                                                                            |
| No. of bending cycles (C-track) | max. 10 Mio. (25 °C)                                                                                                                                   |
| Travel speed (C-track)          | max. 3 m/s                                                                                                                                             |
| Acceleration (C-track)          | max. 10 m/s <sup>2</sup>                                                                                                                               |
| Torsion stress                  | ±180°/m                                                                                                                                                |
| No. of torsion cycles           | max. 2 Mio. (25 °C)                                                                                                                                    |
| Torsion speed                   | 35 cycles/min                                                                                                                                          |
| Jacket Color                    | black                                                                                                                                                  |

#### Commercial data

|                       |               |
|-----------------------|---------------|
| country of origin     | CZ            |
| customs tariff number | 85444290      |
| EAN                   | 4048879370721 |
| eClass                | 27279218      |
| Packaging unit        | 1             |

#### Sketch



Product may differ from Image