

**M12 MALE 0° / MSUD VALVE PLUG FORM CI 9.4 MM**

PUR 3X0.75 black ROBOT, drag ch 1m

**MSUD**

Form CI (9.4 mm) – M12, male straight

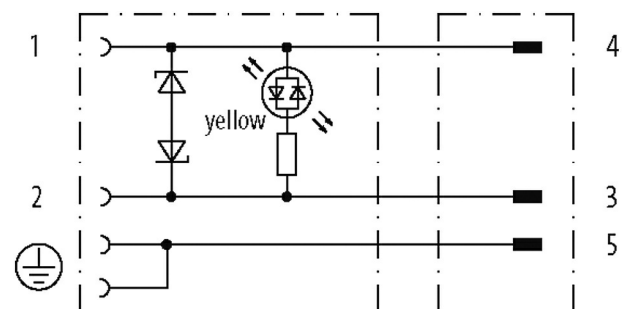
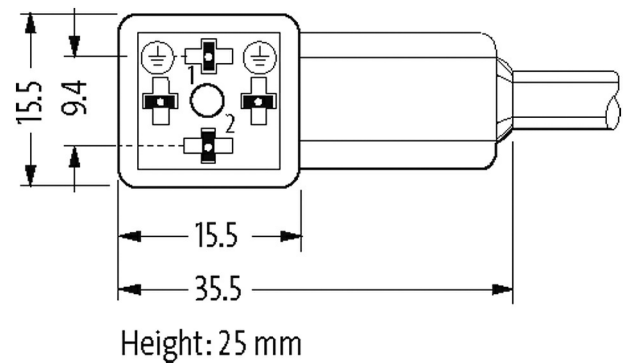
24 V AC  $\pm 20\%$  / DC  $\pm 25\%$ 

LED and suppression

Further cable lengths on request.

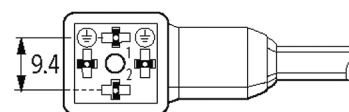
Plastic housings with good resistance against chemicals and oils.

The resistance to aggressive media should be individually tested for your application. Further details on request.

[Link to Product](#)**Illustration**

Female

Male



Product may differ from Image

**Approvals**

cCSAus

\* only for products with UL/CSA approved cable

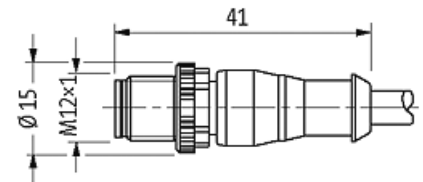
| Form                                |   |
|-------------------------------------|---|
| Form                                | 41041   |
| Technical Data                      |   |
| Operating voltage                   | 24 V AC $\pm 20\%$ / DC $\pm 25\%$  |
| Rated surge voltage                 | 0.8 kV  |
| Operating current per contact       | max. 4 A  |
| Switch off peak                     | max. 55 V   |
| Switch off delay time               | max. 20 ms  |
| Locking of ports                    | M3/M12 $\times$ 1 mm (recommended torque 0.4/0.6 Nm)  |
| Protection                          | IP67 inserted and tightened (EN 60529)  |
| Housing                             | Black plastic (gray on request)   |
| General data                        |   |
| Temperature range                   | -25...+85 °C, depending on cable quality  |
| Cables                              |   |
| No./diameter of wires               | 3 $\times$ 0.75 mm <sup>2</sup>   |
| Wire isolation                      | PP (bk num, gnye)   |
| C-track properties                  | 10 Mio.   |
| Material (jacket)                   | PUR (UL/CSA), welding spark   |
| Outer $\varnothing$                 | 5.2 mm $\pm 5\%$  |
| Bend radius (moving)                | 10 $\times$ outer $\varnothing$   |
| Temperature range (fixed)           | -40...+80 °C  |
| Temperature range (mobile)          | -25...+80 °C  |
| Cable identification                | 656   |
| Cable Type                          | 5 (PUR schweißfunkenbeständig)  |
| Approval (cable)                    | cURus (AWM-Style 20549/10493); CE conform   |
| Cable weight [g/m]                  | 48,40   |
| Material (wire)                     | Cu wire, bare   |
| Resistor (core)                     | max. 26 $\Omega$ /km (20 °C)  |
| Single wire $\varnothing$ (core)    | 0.15 mm   |
| Construction (core)                 | 42 $\times$ 0.15 mm (multi-strand wire class 6)   |
| Diameter (core)                     | 3 $\times$ 0.75 mm <sup>2</sup>   |
| AWG                                 | similar to AWG 18   |
| Material (wire isolation)           | PP  |
| Material property (wire isolation)  | CFC-, halogen-, cadmium-, silicone- and lead-free   |
| Shore hardness (wire isolation)     | 58 $\pm 3$ D  |
| Wire- $\varnothing$ incl. isolation | 1.7 mm $\pm 5\%$  |
| Color/numbering of wires            | bk numbered, gnye longitudinally striped  |
| Stranding combination               | 3 wires twisted   |
| Shield                              | no  |
| Material (jacket)                   | PUR   |
| Material property (jacket)          | CFC-, halogen-, cadmium-, silicone- and lead-free, matt, low-adhesion, machine easy to process, abrasion-resistant, hydrolysis-, microbial- and welding spark resistant |
| Shore hardness (jacket)             | 58 $\pm 3$ D  |
| Outer- $\varnothing$ (jacket)       | 5.2 mm $\pm 5\%$  |
| Color (jacket)                      | black   |
| chemical resistance                 | good resistance to oil, gasoline and chemicals (EN 60811-404)   |

|                                 |  |
|---------------------------------|--|
| thermal resistance              | flame retardant UL, FT2, IEC 60332-1, IEC 60332-2-2, welding spark resistant |
| Nominal voltage                 | 300 V AC   |
| Test voltage                    | 2500 V AC  |
| Current load capacity           | to DIN VDE 0298-4  |
| Temperature range (fixed)       | -40...+80 °C, (+90 °C at max. 10 000 operating hours)                        |
| Temperature range (mobile)      | -25...+80 °C, (+90 °C at max. 10 000 operating hours)                        |
| Bend radius (fixed)             | 5× outer Ø   |
| Bend radius (moving)            | 10× outer Ø  |
| No. of bending cycles (C-track) | max. 10 Mio. (25 °C)   |
| Traversing distance (C-track)   | max. 5 m (horizontal)  |
| Travel speed (C-track)          | max. 3.3 m/s   |
| Acceleration (C-track)          | max. 5 m/s <sup>2</sup>  |
| Torsion stress                  | ±360°/m  |
| No. of torsion cycles           | max. 1 Mio. (25 °C)  |
| Torsion speed                   | 35 cycles/min  |
| Jacket Color                    | black  |

#### Commercial data

|                       |               |
|-----------------------|---------------|
| country of origin     | CZ            |
| customs tariff number | 85444290      |
| EAN                   | 4048879516068 |
| eClass                | 27279218      |
| Packaging unit        | 1             |

#### Sketch



Product may differ from Image