

M12 male 0° / M12 male 0° shielded Ethernet

PUR 2x2xAWG22 shielded ye UL/CSA+dragchain 0,6m

Ethernet CAT5e

Male straight – male straight

M12 – M12, 4-pole

D-coded

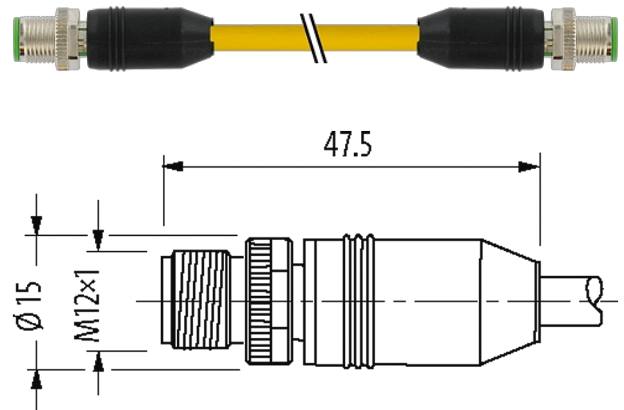
shielded

Further cable lengths on request.

Plastic housings with good resistance against chemicals and oils.

The resistance to aggressive media should be individually tested for your application. Further details on request.

Transmission properties with channel transmission up to 100 m

[Link to Product](#)**Illustration**

Product may differ from Image

Approvals

* only for products with UL/CSA approved cable

cCSAus

More Info



Form

Form 44511

Technical Data

| | |
|------------------------------------|---|
| Operating voltage | max. 60 V DC |
| Operating voltage (only UL listed) | max. 30 V DC |
| Rated surge voltage | 1.5 kV |
| Operating current per contact | max. 4 A |
| Material group | IEC 60664-1, category I |
| Transfer parameters | CAT5e, Class D (ISO/IEC 11801:2002), (EN 50173-1) |

The information in this brochure has been compiled with the utmost care.

Liability for the correctness completeness and topicality of the information is restricted to gross negligence. Version: 02/21

Murrelektronik GmbH | Falkenstr. 3 | 71570 Oppenweiler | Fon +49 (71 91) 47-0 | Fax +49 (71 91) 47-491000 | shop@murrelektronik.com | shop.murrelektronik.com

| | |
|---|--|
| Transfer rate | up to 100 Mbit/s full duplex |
| Coding | D-coded |
| Locking of ports | Screw thread (M12×1 mm) recommended torque 0.6 Nm, self-securing |
| Compression gland | M12 (SW13) |
| Protection | IP65, IP66K, IP67 inserted and tightened (EN 60529) |
| Locking material | Zinc die casting, matte nickel plated |
| Material | PUR |
| suitable for corrugated tube (internal Ø) | without |

General data

| | |
|-------------------|--|
| Standards | DIN EN 61076-2-101 (M12) |
| Pollution Degree | 3 |
| Mounting method | inserted, tightened |
| Temperature range | -25...+85 °C, depending on cable quality |

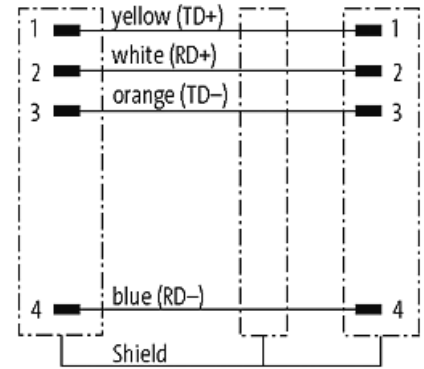
Cables

| | |
|---------------------------------|-------------------------------------|
| No./diameter of wires | 2× 2× AWG22 |
| Wire isolation | PO (wh, ye, bl, or) |
| C-track properties | 3 Mio. |
| Material (jacket) | PUR (UL/CSA) |
| Outer Ø | 6.7 mm ±5% |
| Bend radius (moving) | 12× outer Ø |
| Temperature range (fixed) | -40...+80 °C |
| Temperature range (mobile) | -30...+70 °C |
| Cable identification | 675 |
| Approval (cable) | UL (AWM-Style 20233/11602), CSA; CE |
| Cable weight [g/m] | 69,30 |
| Material (wire) | Cu wire, bare |
| Diameter (core) | 2× 2× AWG22/7 (0.355) |
| Material (wire isolation) | PO |
| Wire-Ø incl. isolation | 1.4 mm ±5% |
| Color/numbering of wires | wh, ye, bl, or |
| Shield | yes |
| optical shield cover | min. 85% |
| Material (jacket) | PUR |
| Outer-Ø (jacket) | 6.7 mm ±5% |
| Color (jacket) | yellow |
| Nominal voltage | 300 V AC |
| Temperature range (fixed) | -40...+80 °C |
| Temperature range (mobile) | -30...+70 °C |
| Bend radius (fixed) | 5× outer Ø |
| Bend radius (moving) | 12× outer Ø |
| No. of bending cycles (C-track) | max. 3 Mio. (25 °C) |
| Traversing distance (C-track) | max. 5 m (horizontal) |
| Travel speed (C-track) | max. 3.3 m/s |
| Acceleration (C-track) | max. 5 m/s ² |
| Jacket Color | yellow |

Commercial data

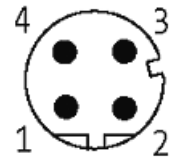
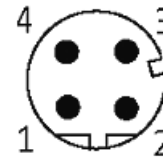
| | |
|-------------------|----|
| country of origin | DE |
|-------------------|----|

| | |
|-----------------------|---------------|
| customs tariff number | 85444290 |
| EAN | 4048879716383 |
| eClass | 27061801 |
| Packaging unit | 1 |

Sketch

Male

Male



Product may differ from Image