

M12 male 0° / M12 male 90° D-cod. shielded

PUR 1x4xAWG22 shielded gn UL/CSA+drag ch. 13.5m

Ethernet CAT5

Male 90° – male straight

M12 – M12, 4-pole

D-coded

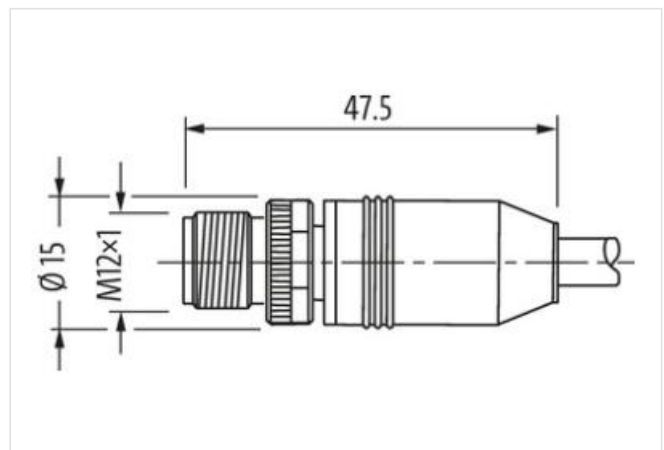
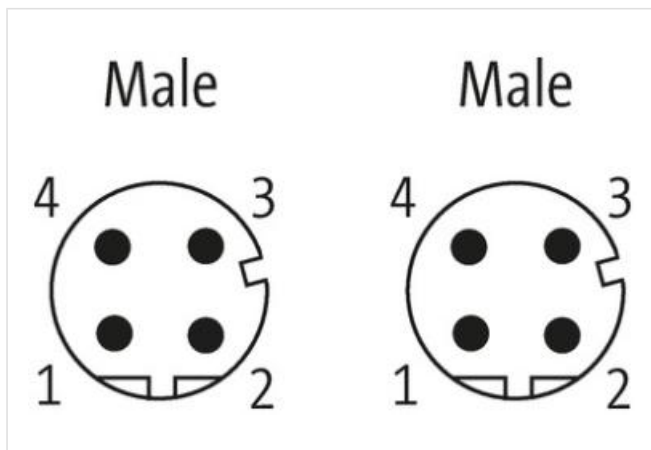
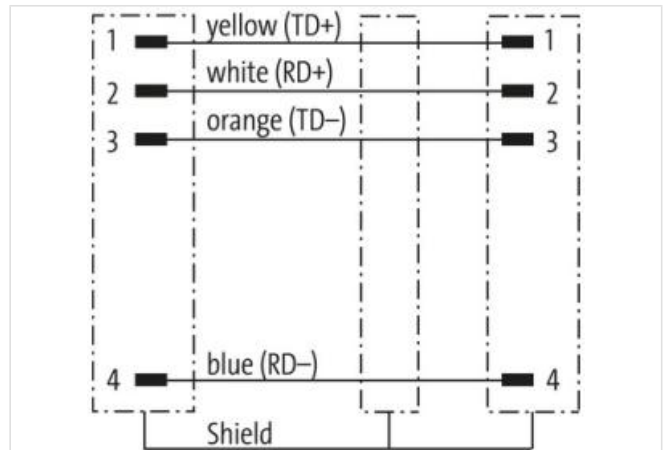
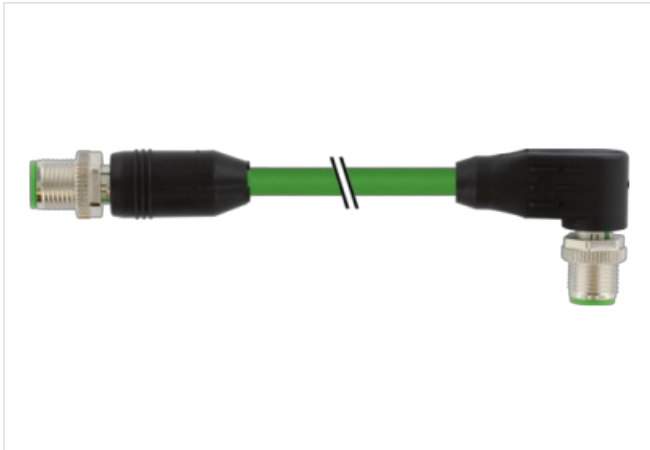
shielded

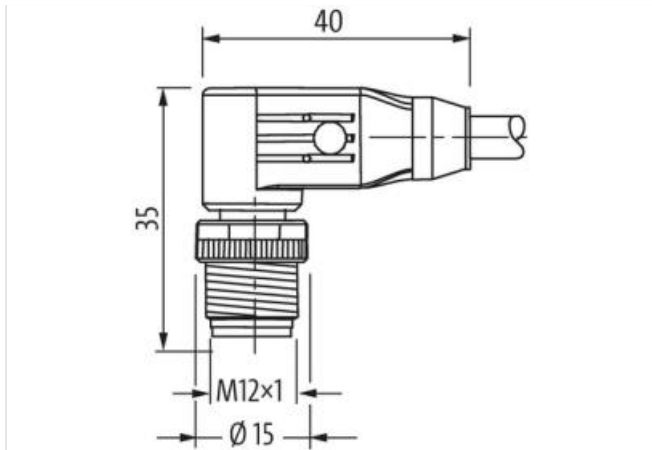
Transmission properties with channel transmission up to 100 m

Further cable lengths on request.

Plastic housings with good resistance against chemicals and oils.

The resistance to aggressive media should be individually tested for your application. Further details on request.

[Link to Product](#)**Illustration**



Product may differ from Image



* only for products with UL/CSA approved cable

| Form | |
|---|--|
| Form | 44541 |
| Technical Data | |
| Operating voltage | max. 60 V DC |
| Rated surge voltage | 1.5 kV |
| Operating current per contact | max. 1.5 A |
| Transfer parameters | CAT5, Class D (ISO/IEC 11801:2002), (EN 50173-1) |
| Transfer rate | up to 100 Mbit/s full duplex |
| Material group | IEC 60664-1, category I |
| Coding | M12, D-coded |
| Locking of ports | Screw thread (M12×1 mm) recommended torque 0.6 Nm, self-securing |
| Protection | IP65, IP66K, IP67 inserted and tightened (EN 60529) |
| Material | PUR |
| Locking material | Zinc die casting, matte nickel plated |
| suitable for corrugated tube (internal Ø) | without |
| Compression gland | M12 (SW13) |
| General data | |
| Standards | DIN EN 61076-2-101 (M12) |
| Pollution Degree | 3 |
| Temperature range | -25...+85 °C, depending on cable quality |
| Cables | |
| Cable identification | 796 |
| Approval (cable) | cURus (AWM-Style 20549/11602), CE-conform |
| Cable weight [g/m] | 69,3 g |
| Material (wire) | Cu wire, bare |
| Resistor (core) | max. 55 Ω/km (20 °C) |
| Construction (core) | 7× 0.254 mm |
| Diameter (core) | 1× 4× AWG22/7 |
| Material (wire isolation) | PE |

The information in this brochure has been compiled with the utmost care.

Liability for the correctness completeness and topicality of the information is restricted to gross negligence. Version: 2022-12-29

| | |
|--|--|
| Wire-Ø incl. isolation | 1.4 mm ±5% |
| Color/numbering of wires | wh, ye, bl, or |
| Shield | yes |
| Shield (Type) | Copper braid |
| optical shield cover | min. 85% |
| Material (jacket) | PUR |
| Material property (jacket) | CFC-, halogen-, cadmium-, silicone- and lead-free, matt, low-adhesion, machine easy to process, abrasion-resistant, hydrolysis and microbial resistant |
| Outer-Ø (jacket) | 6.7 mm ±5% |
| Color (jacket) | green |
| chemical resistance | Oil resistance according to IEC 60811-2-1, ASTM IRM 901, ICEA S-82-552 Std. |
| thermal resistance | flame-retardant according to UL 1581 section 1090, section 1100 (FT2), IEC 60332-1-2 Std. |
| Nominal voltage | 300 V |
| Test voltage | 2000 V AC (test duration 1 min) |
| Temperature range (fixed) | -40...+80 °C |
| Temperature range (mobile) | -30...+70 °C |
| Bend radius (fixed) | 5× outer Ø |
| Bend radius (moving) | 12× outer Ø |
| No. of bending cycles (C-track) | max. 3 Mio. (25 °C) |
| Traversing distance (C-track) | max. 5 m (horizontal) |
| Travel speed (C-track) | max. 3.3 m/s |
| Acceleration (C-track) | max. 2 m/s ² |
| Torsion stress | ±180°/m |
| No. of torsion cycles | max. 1 Mio. (25 °C) |
| <hr/> | |
| Product article number of manufacturer | 7000-44541-7961350 |
| Cable length | 13,5 m |