

M12 male 0° / M12 male 0° X-cod. shielded

PUR 4x2xAWG24 shielded gn UL+drag ch. 3.5m

Male straight – male straight
M12 – M12, 8-pole

Shielded

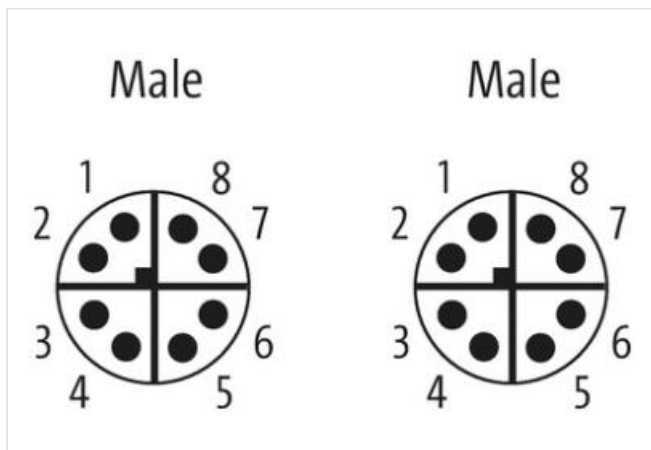
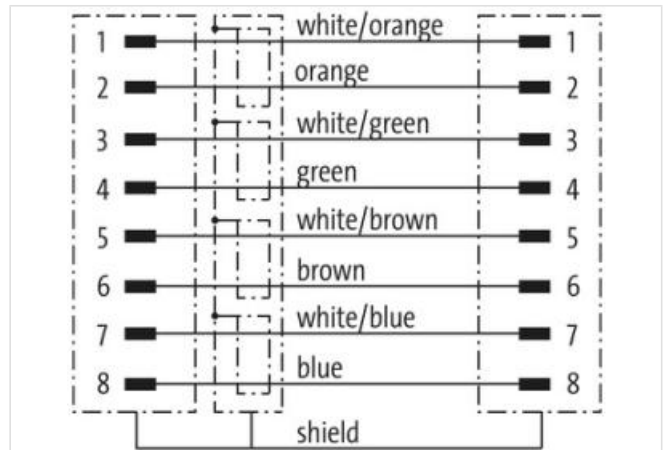
with cable sleeves

maximum length for channel transmission corresponds to 45m

Good chemical and oil resistance (oil resistance does not apply to use with PVC cable)

The resistance to aggressive media should be individually tested for your application. Further details on request.

Further cable lengths on request.

[Link to Product](#)**Illustration**

Product may differ from Image

Form

Form 51005

Technical Data

Operating voltage max. 50 V AC/60 V DC

Rated surge voltage 1.5 kV

Operating current	max. 0.5 A
No. of poles	8
Transfer parameters	CAT6A
Transfer rate	10 Gbit/s
Material group	IEC 60664-1, category I
Protection	IP65/IP67
suitable for corrugated tube (internal Ø)	12 mm

General data

Standards	DIN EN 61076-2-109 (M12)
Mounting method	inserted, tightened
Material (contact)	Copper alloy
Material (contact surface)	Au
Pollution Degree	3
Temperature range	-25...+85 °C, depending on cable quality

Cables

Cable identification	826
Approval (cable)	cURus (AWM-Style 20549/10493); CE conform
Material (wire)	Cu wire, bare
Resistor (core)	max. 94.2 Ω/km (20 °C)
Construction (core)	7× 0.203 mm
Diameter (core)	4× 2× AWG24/7
AWG	similar to AWG 24/7
Material (wire isolation)	PE
Wire-Ø incl. isolation	1.05 mm ±5%
Color/numbering of wires	PE (whbl, bl, whor, or, whgn, gn, whbr, br)
Shield	yes
Shield (Type)	Copper braid
optical shield cover	min. 80%
Material (jacket)	PUR
Material property (jacket)	CFC-, halogen-, cadmium-, silicone- and lead-free, matt, low-adhesion, machine easy to process, abrasion-resistant, hydrolysis and microbial resistant
Outer-Ø (jacket)	8.9 mm ±5%
Color (jacket)	green
thermal resistance	compliant UL 1581 Section 1090, Section 1100 (FT2) / IEC 60332-1-2
Nominal voltage	300 V
Test voltage	2000 V AC (test duration 1 min)
Temperature range (fixed)	-40...+80 °C
Temperature range (mobile)	-30...+70 °C
Bend radius (fixed)	8× outer Ø
Bend radius (moving)	15× outer Ø
No. of bending cycles (C-track)	max. 2 Mio. (25 °C)
Traversing distance (C-track)	max. 5 m (horizontal)
Travel speed (C-track)	max. 4 m/s
Torsion stress	±180°/m
No. of torsion cycles	max. 1 Mio. (25 °C)
Product article number of manufacturer	7000-51005-8260350
Cable length	3,5 m