

RJ45 male 0° / RJ45 male 90° right shielded

PUR 1x4xAWG22 shielded gn UL/CSA+drag ch. 3m

Ethernet CAT5

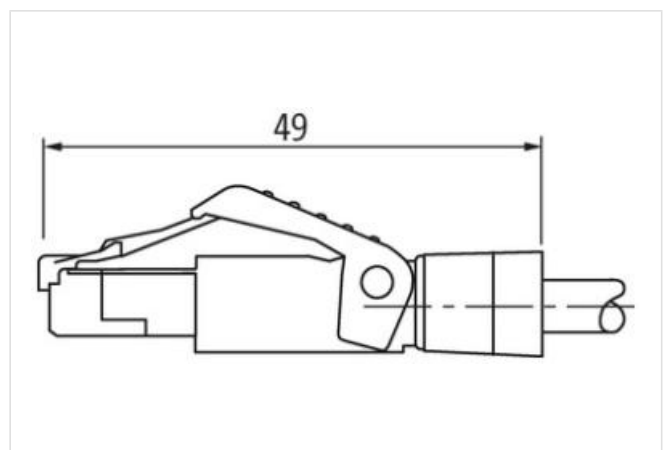
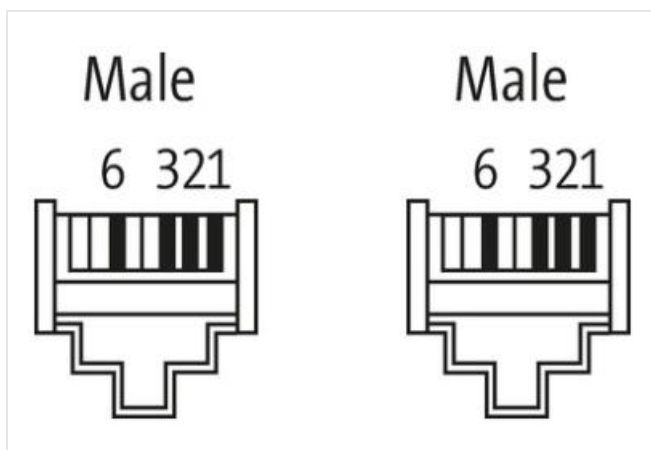
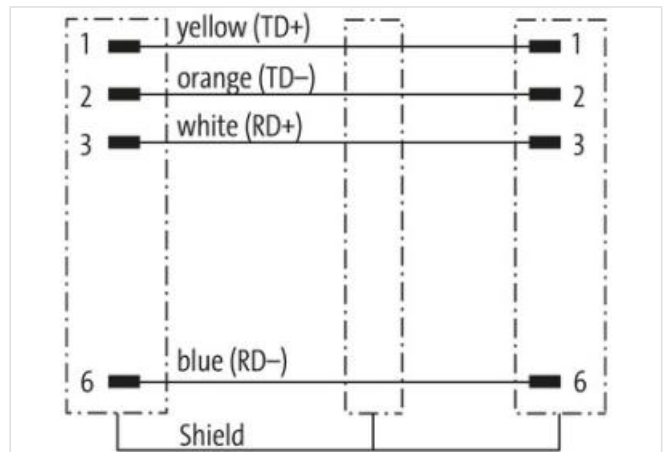
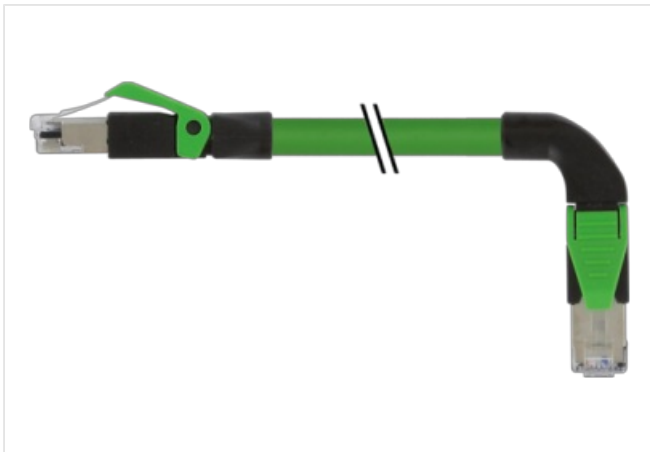
Male straight – male 90° right

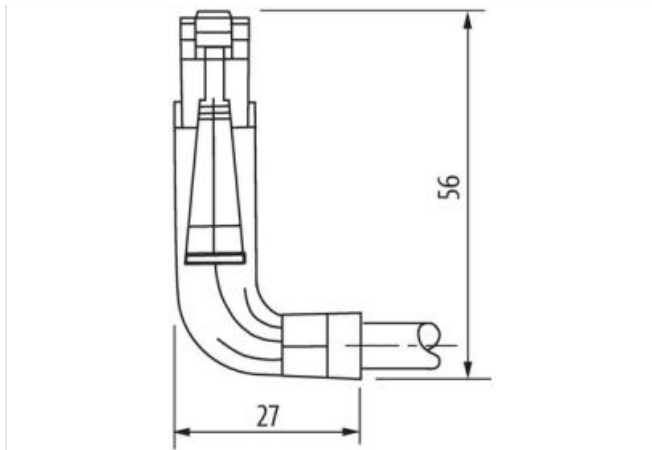
RJ45 – RJ45, 4-pole
shielded

Further cable lengths on request.

Plastic housings with good resistance against chemicals and oils.

The resistance to aggressive media should be individually tested for your application. Further details on request.

[Link to Product](#)**Illustration**



Product may differ from Image



Form

Form 74387

Technical Data

| | |
|---|--|
| Operating voltage | max. 60 V DC |
| Rated surge voltage | 1.0 kV |
| Operating current per contact | max. 1.5 A (20 °C) |
| Transfer parameters | CAT5, Class D (ISO/IEC 11801:2002), (EN 50173-1) |
| Transfer rate | up to 100 Mbit/s full duplex |
| Material group | IEC 60664-1, category I |
| LED display | no |
| Locking of ports | Snap-in connector |
| Protection | IP20 inserted and tightened (EN 60529) |
| Material | PUR |
| Locking material | PA |
| suitable for corrugated tube (internal Ø) | without |

General data

| | |
|-------------------|--|
| Mounting method | inserted |
| Pollution Degree | 3 |
| Temperature range | -25...+85 °C, depending on cable quality |

Cables

| | |
|---------------------------|---|
| Cable identification | 796 |
| Approval (cable) | cURus (AWM-Style 20549/11602), CE-conform |
| Cable weight [g/m] | 69,3 g |
| Material (wire) | Cu wire, bare |
| Resistor (core) | max. 55 Ω/km (20 °C) |
| Construction (core) | 7 × 0.254 mm |
| Diameter (core) | 1 × 4 × AWG22/7 |
| Material (wire isolation) | PE |
| Wire-Ø incl. isolation | 1.4 mm ±5% |
| Color/numbering of wires | wh, ye, bl, or |
| Shield | yes |
| Shield (Type) | Copper braid |
| optical shield cover | min. 85% |

The information in this brochure has been compiled with the utmost care.

Liability for the correctness completeness and topicality of the information is restricted to gross negligence. Version: 2022-12-31

Murrelektronik GmbH | Falkenstraße 3 | 71570 Oppenweiler | Fon +49 (71 91) 47-0 | Fax +49 (71 91) 47-491000 | shop@murrelektronik.com | shop.murrelektronik.com

| | |
|--|--|
| Material (jacket) | PUR |
| Material property (jacket) | CFC-, halogen-, cadmium-, silicone- and lead-free, matt, low-adhesion, machine easy to process, abrasion-resistant, hydrolysis and microbial resistant |
| Outer-Ø (jacket) | 6.7 mm ±5% |
| Color (jacket) | green |
| chemical resistance | Oil resistance according to IEC 60811-2-1, ASTM IRM 901, ICEA S-82-552 Std. |
| thermal resistance | flame-retardant according to UL 1581 section 1090, section 1100 (FT2), IEC 60332-1-2 Std. |
| Nominal voltage | 300 V |
| Test voltage | 2000 V AC (test duration 1 min) |
| Temperature range (fixed) | -40...+80 °C |
| Temperature range (mobile) | -30...+70 °C |
| Bend radius (fixed) | 5× outer Ø |
| Bend radius (moving) | 12× outer Ø |
| No. of bending cycles (C-track) | max. 3 Mio. (25 °C) |
| Traversing distance (C-track) | max. 5 m (horizontal) |
| Travel speed (C-track) | max. 3.3 m/s |
| Acceleration (C-track) | max. 2 m/s ² |
| Torsion stress | ±180°/m |
| No. of torsion cycles | max. 1 Mio. (25 °C) |
| Product article number of manufacturer | 7000-74387-7960300 |
| Cable length | 3 m |