

RJ45 male 0° / RJ45 male 0° Cabinet-Line, Ethernet

FRNC/LS0H 2x2xAWG26 shielded gr 1m

Ethernet CAT5

Male straight – male straight

RJ45 – RJ45, 4-pole

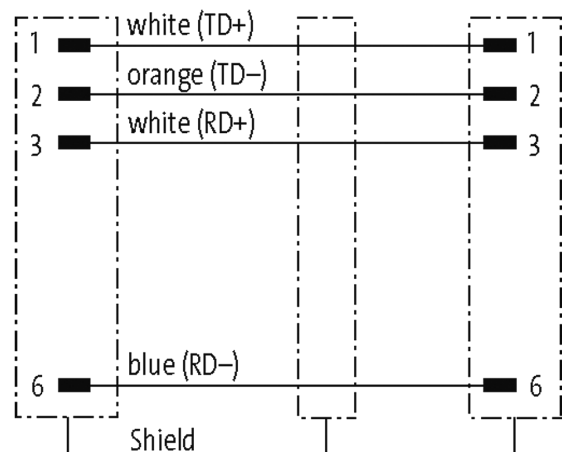
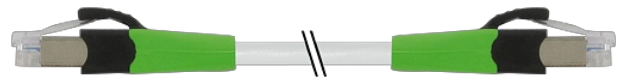
shielded

without cable sleeves

Further cable lengths on request.

Plastic housings with good resistance against chemicals and oils.

The resistance to aggressive media should be individually tested for your application. Further details on request.

[Link to Product](#)**Illustration**

Product may differ from Image

More Info


Form

Form 74701

Technical Data

Operating voltage	max. 60 V DC
Rated surge voltage	1.0 kV
Operating current per contact	max. 1.76 A
Material group	IEC 60664-1, category I
Transfer parameters	CAT5, Class D (ISO/IEC 11801:2002), (EN 50173-1)
Transfer rate	up to 100 Mbit/s full duplex
LED display	no
Locking of ports	Snap-in connector

The information in this brochure has been compiled with the utmost care.

Liability for the correctness completeness and topicality of the information is restricted to gross negligence. Version: 02/21

Murrelektronik GmbH | Falkenstr. 3 | 71570 Oppenweiler | Fon +49 (71 91) 47-0 | Fax +49 (71 91) 47-491000 | shop@murrelektronik.com | shop.murrelektronik.com

Protection	IP20 inserted and tightened (EN 60529)
Locking material	PA
Material	PUR
suitable for corrugated tube (internal Ø)	without

General data

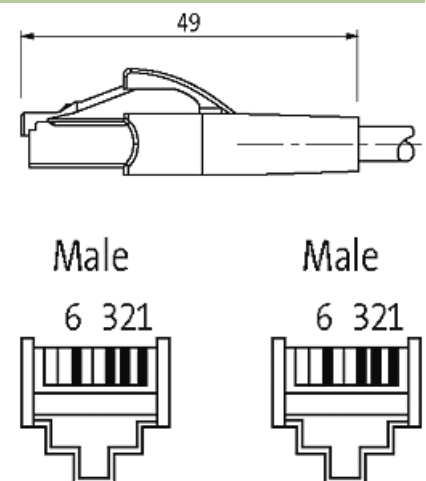
Mounting method	inserted
Pollution Degree	3
Temperature range	-25...+85 °C, depending on cable quality

Cables

Cable number	777
No./diameter of wires	2x 2x AWG26
Wire isolation	FRNC (wh, bl, wh, or)
Jacket Color	gray
Material (jacket)	FRNC
Outer Ø	5.0 mm ±5%
Bend radius (moving)	10x outer Ø
Temperature range (fixed)	0...+50 °C
Temperature range (mobile)	-20...+60 °C
Shield	yes
Bend radius (fixed)	7.5x outer Ø

Commercial data

country of origin	HU
customs tariff number	85444210
EAN	4048879569941
eClass	27061801
Packaging unit	1

Sketch

Product may differ from Image