

**RJ45 St. 0jÆ / RJ45 St. 0jÆ, Gigabit**

FRNC/LS0H 4x2xAWG26 shielded gn UL 0,3m

Ethernet CAT6A

Male straight – male straight

RJ45 – RJ45, 8-pole

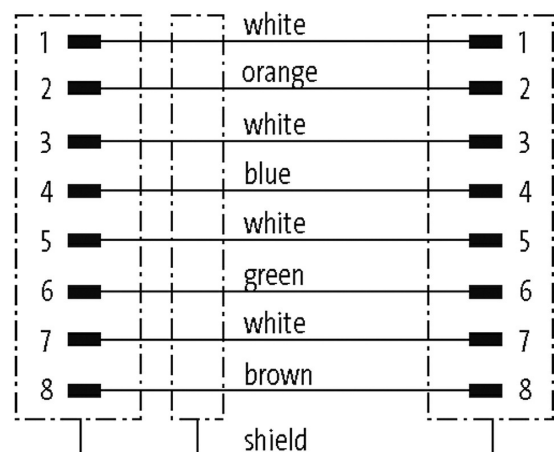
shielded

with cable sleeves

Further cable lengths on request.

Plastic housings with good resistance against chemicals and oils.

The resistance to aggressive media should be individually tested for your application. Further details on request.

[Link to Product](#)**Illustration**

Product may differ from Image

**Approvals**

\* only for products with UL/CSA approved cable

**More Info**

EtherNet/IP

**Form**

Form 74712

**Technical Data**

Operating voltage	max. 60 V DC
Operating voltage (only UL listed)	25 V DC
Rated surge voltage	1.0 kV
Operating current per contact	max. 1.76 A (UL: 1.0 A)

Material group	IEC 60664-1, category I
Transfer parameters	CAT6A
Locking of ports	Snap-in connector
Protection	IP20
Locking material	PA
suitable for corrugated tube (internal Ø)	without

**General data**

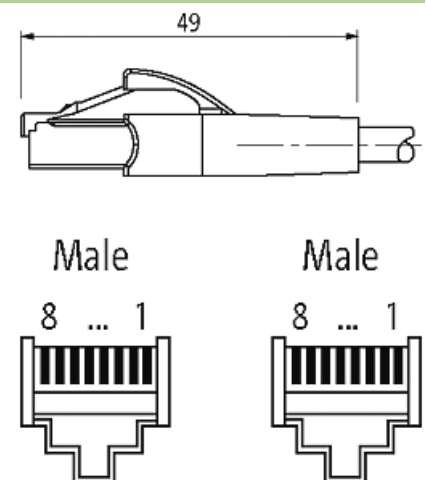
Mounting method	inserted
Pollution Degree	3
Temperature range	-25...+85 °C, depending on cable quality

**Cables**

Cable number	478
No./diameter of wires	4 x 2 x AWG26
Wire isolation	FRNC (wh, bl, wh, or, wh, gn, wh, br)
Jacket Color	green
Material (jacket)	FRNC
Outer Ø	6.0 mm ±5%
Bend radius (moving)	5 x outer Ø
Temperature range (fixed)	-20...+60 °C
Temperature range (mobile)	0...+50 °C
Material (wire)	Cu wire, bare
Shield	yes
Color (jacket)	green

**Commercial data**

country of origin	HU
customs tariff number	85444210
EAN	4048879595155
eClass	27061801
Packaging unit	1

**Sketch**

Product may differ from Image