

RJ45 St. 0° / RJ45 St. 0°, Gigabit

FRNC/LS0H 4x2xAWG27 shielded gr UL 1,5m

Ethernet CAT6A

Male straight – male straight

RJ45 – RJ45, 8-pole

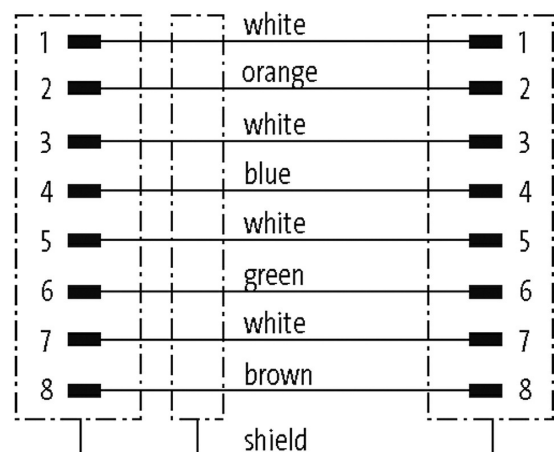
shielded

with cable sleeves

Further cable lengths on request.

Plastic housings with good resistance against chemicals and oils.

The resistance to aggressive media should be individually tested for your application. Further details on request.

[Link to Product](#)**Illustration**

Product may differ from Image

Approvals

* only for products with UL/CSA approved cable

More Info

Form

Form 74712

Technical Data

Operating voltage max. 60 V DC

Operating voltage (only UL listed) 25 V DC

| | |
|---|-------------------------|
| Rated surge voltage | 1.0 kV |
| Operating current per contact | max. 1.76 A (UL: 1.0 A) |
| Material group | IEC 60664-1, category I |
| Transfer parameters | CAT6A |
| Locking of ports | Snap-in connector |
| Protection | IP20 |
| Locking material | PA |
| suitable for corrugated tube (internal Ø) | without |

General data

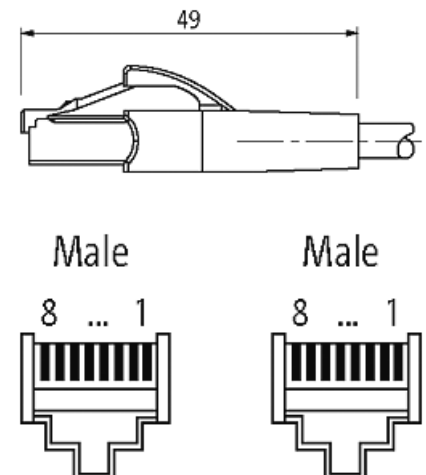
| | |
|-------------------|--|
| Mounting method | inserted |
| Pollution Degree | 3 |
| Temperature range | -25...+85 °C, depending on cable quality |

Cables

| | |
|----------------------------|---------------------------------------|
| Cable number | 778 |
| No./diameter of wires | 4 × 2 × AWG27/7 |
| Wire isolation | FRNC (wh, bl, wh, or, wh, gn, wh, br) |
| Jacket Color | gray |
| Material (jacket) | FRNC |
| Outer Ø | 6.0 mm ±5% |
| Bend radius (moving) | 5 × outer Ø |
| Temperature range (fixed) | -20...+60 °C |
| Temperature range (mobile) | 0...+50 °C |
| Material (wire) | Cu wire, bare |
| Shield | yes |

Commercial data

| | |
|-----------------------|---------------|
| country of origin | HU |
| customs tariff number | 85444210 |
| EAN | 4048879595827 |
| eClass | 27061801 |
| Packaging unit | 1 |

Sketch

Product may differ from Image