

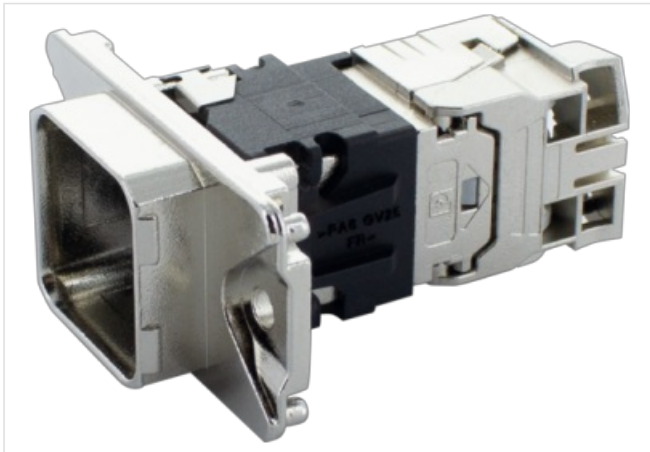
Wall bushing for push pull RJ45

Including RJ45 insert with IDC cable connection

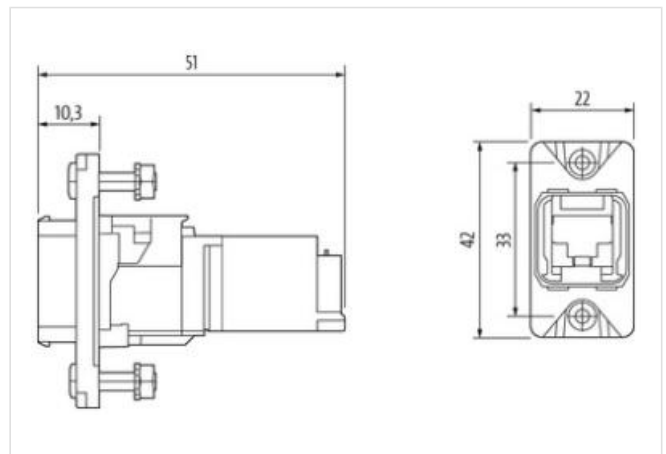
RJ45 mounting frame for push-pull locking, incl. RJ45 insert with IDC cable connection
 8-pole
 Ethernet CAT6A
 10 Gbit/s
 with gasket
 with fixing screws
 Suitable for rectangular mounting cut-out

[Link to Product](#)

Illustration



Product may differ from Image



Form

Form 99595

Technical Data

Operating voltage	56.5 V
Operating current per contact	1.75 A
No. of poles	8-pole
Transfer parameters	Ethernet CAT6A
Transfer rate	10 Gbit/s
Frequency	500 MHz
Locking of ports	Push Pull
Connection	Insulation displacement technology IDC
Sealing range (cable Ø)	4.5...9.0 mm
Protection	IP67 inserted and tightened (EN 60529)
Isolation resistance	> 500 MΩ (100V DC)

General data

Standards	IEC 61076-3-117 V.14
Material (gasket)	NBR
Pollution Degree	2

Temperature range	-10...+60 °C
Material (housing)	Zinc die casting
Flammability class	(UL94): VO
Connection	RJ45 mounting frame for push-pull locking, incl. RJ45 insert with IDC cable connection
Dimensions HxWxD	42x22,2x51 mm
Product article number of manufacturer	7000-99595-0000000