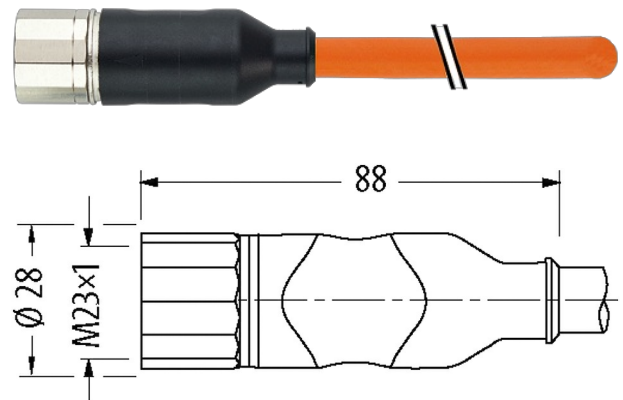


**M23 FEMALE 0° 6POLE**

PUR (4G2,5+(2x1,5)C)C 1m

Power cable with brake wires for SINAMICS S120 and motors with M23 connection and holding brake  
 Female straight  
 M23, 6-pole  
 without cable sleeves  
 Further cable lengths on request.  
 Plastic housings with good resistance against chemicals and oils.  
 The resistance to aggressive media should be individually tested for your application. Further details on request.

**[Link to Product](#)****Illustration**

Product may differ from Image

**Form**

Form PS501

**Technical Data**

Operating voltage	600 V AC/DC (PIN 1/2/3/6); 250 V AC/DC (PIN 4/5)
Rated surge voltage	4 kV (PIN 1/2/3/6); 2 kV (PIN 4/5)
Operating current per contact	Power cores: 12 A (1.5 mm <sup>2</sup> ), 15 A (2.5 mm <sup>2</sup> ); brake cores: 5 A (1.5 mm <sup>2</sup> )
Material group	IEC 60664-1, category I
Locking of ports	Screw thread (M23×1 mm) recommended torque 2.0 Nm, self-securing
Compression gland	M23 (SW27)
Protection	IP65 and IP67 when plugged and screwed down (EN 60529)
Locking material	Brass, nickel plated
Material	PUR
suitable for corrugated tube (internal Ø)	16 mm

**General data**

Pollution Degree	3
Temperature range	-25...+85 °C, depending on cable quality

**Cables**

Cable number	833
No./diameter of wires	(4G2.5 + (2× 1.5)C)-C
Wire isolation	TPM (bk num, gnye)
C-track properties	10 Mio.
Jacket Color	orange

The information in this brochure has been compiled with the utmost care.

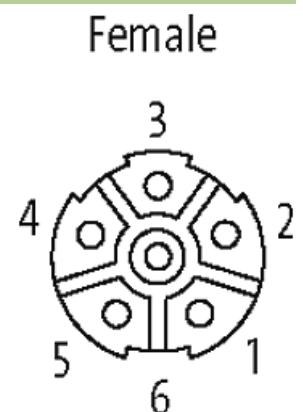
Liability for the correctness completeness and topicality of the information is restricted to gross negligence. Version: 02/21

Murrelektronik GmbH | Falkenstraße 3 | 71570 Oppenweiler | Fon +49 (71 91) 47-0 | Fax +49 (71 91) 47-491000 | shop@murrelektronik.com | shop.murrelektronik.com

Material (jacket)	PUR (UL/CSA) (=MC800+)
Outer Ø	13.4 mm ±5%
Bend radius (moving)	7.5× outer Ø
Temperature range (fixed)	-50...+80 °C
Temperature range (mobile)	-35...+70 °C
Specification	6FX8008-1BA21
Cable identification	833
Approval (cable)	cURus (AWM-Style 21223/10492)
Material (wire)	Cu wire, bare
Resistor (core)	max. 13.3 Ω/km (1.5 mm <sup>2</sup> ), max. 7.98 Ω/km (2.5 mm <sup>2</sup> ); (20 °C)
Single wire Ø (core)	0.15 mm
Diameter (core)	(4G2.5 + (2× 1.5)C)-C
Material (wire isolation)	PP
Wire-Ø incl. isolation	2.4 ±5% (1.5 mm <sup>2</sup> ); 3.1 ±5% (2.5 mm <sup>2</sup> )
Color/numbering of wires	bk, wh (1.5 mm <sup>2</sup> ); bk, gnye longitudinally striped (2.5 mm <sup>2</sup> )
Shield	yes
optical shield cover	min. 85%
Material (jacket)	PUR
Outer-Ø (jacket)	13.4 mm ±5%
Color (jacket)	orange
thermal resistance	flame retardant UL 1581 VW1 / CSA FT1
Nominal voltage	600/1000 V AC
Test voltage	4.0 kV
Temperature range (fixed)	-50...+80 °C
Temperature range (mobile)	-35...+70 °C
Bend radius (fixed)	4× outer-Ø
Bend radius (moving)	7.5× outer Ø
No. of bending cycles (C-track)	max. 10 Mio. (25 °C)
Torsion stress	±30 °/m

**Commercial data**

country of origin	DE
customs tariff number	85444290
EAN	4048879486071
eClass	27279218
Packaging unit	1

**Sketch**

Product may differ from Image