

DRIVE CLIQ CABLE

Specification: 6FX8002-2DC20-1AB5

DRIVE-CLiQ signal cable for SINAMICS S120 and motors with DC 24 V wires

Male straight – male straight

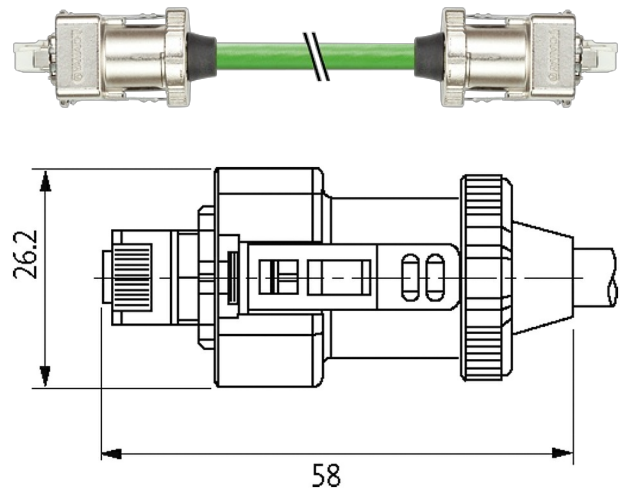
DRIVE-CLiQ IP67 – DRIVE-CLiQ IP67, 10-pole

Further cable lengths on request.

The resistance to aggressive media should be individually tested for your application. Further details on request.

[Link to Product](#)

Illustration



Product may differ from Image

More Info



EtherNet/IP

Form

Form SS061

Technical Data

| | |
|-------------------------------|--|
| Operating voltage | max. 30 V AC/DC |
| Rated surge voltage | 0.5 kV |
| Operating current per contact | max. 1.76 A |
| Material group | IEC 60664-1, category II |
| Transfer parameters | CAT5, Class D (ISO/IEC 11801:2002), (EN 50173-1) |
| Transfer rate | up to 100 Mbit/s full duplex |
| Locking of ports | DRIVE-CLiQ-System |
| Protection | IP67 |
| Material | Zinc die casting, matte nickel plated |

General data

| | |
|-------------------|--|
| Pollution Degree | 3 |
| Temperature range | -20...+80 °C, depending on cable quality |

Cables

The information in this brochure has been compiled with the utmost care.

Liability for the correctness completeness and topicality of the information is restricted to gross negligence. Version: 02/21

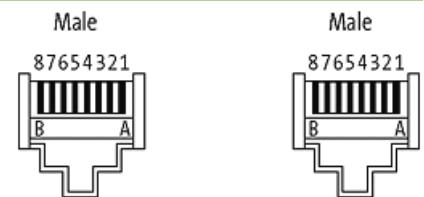
Murrelektronik GmbH | Falkenstraße 3 | 71570 Oppenweiler | Fon +49 (71 91) 47-0 | Fax +49 (71 91) 47-491000 | shop@murrelektronik.com | shop.murrelektronik.com

| | |
|----------------------------|-------------------------|
| Cable number | 880 |
| No./diameter of wires | 2× 2× 0.20 + 1× 2× 0.38 |
| Wire isolation | PO (gnye, pkbl, rdbk) |
| C-track properties | 5 Mio. |
| Jacket Color | green |
| Material (jacket) | PUR (UL/CSA) |
| Outer Ø | 6.9 mm ±5% |
| Bend radius (moving) | 10× outer Ø |
| Temperature range (fixed) | -20...+80 °C |
| Temperature range (mobile) | -20...+60 °C |
| Shield | yes |
| optical shield cover | min. 85% |
| Material (jacket) | PUR |
| Torsion stress | ±30 °/m |
| Specification | MC800+ (6FX8008-1DC00) |

Commercial data

| | |
|-----------------------|---------------|
| country of origin | DE |
| customs tariff number | 85444210 |
| EAN | 4048879483247 |
| eClass | 27061801 |
| Packaging unit | 1 |

Sketch



Product may differ from Image