

## MTS 1-PHASE CONTROL AND ISOLATION TRANSFORMER

P: 25VA IN: 208...550VAC OUT: 2x115VAC

Single-phase - Control and Isolation Transformers  
25 VA  
Isolation class T 40/B  
Other voltages on request.

### [Link to Product](#)

#### Illustration



Product may differ from Image

#### Approvals



#### General data

Standards	EN 61558-1, EN 61558-2-4, EN 62041 category 0
Test isolation voltage	4 kV (prim./sec.)
Mounting method	Long-hole mounting or DIN-rail mountable TH35 (EN 60715)
Dimensions H×W×D	90×78×102 mm
Fixing centers a×b×c	56×56 mm
Drill hole Ø	4.8×8.4 mm
Temperature range	-20...+40 °C (storage temperature -20...+80 °C)

#### Output

Output voltage	1× 230, 1× 115, 2× 115 V AC
Output rating	25 VA

#### Input

Input voltage	208, 230, 380, 400, 420, 440, 460, 480, 500, 525, 550 V AC
Input current	0.17 A (208 V AC); 0.06 A (550 V AC)
Inrush current	1.94 A (208 V AC); 0.75 A (550 V AC)
Short-circuit current	1 A (208 V AC); 0.4 A (550 V AC)
Frequency	50...60 Hz

#### Commercial data

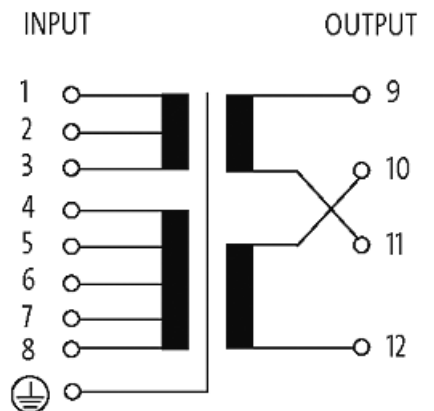
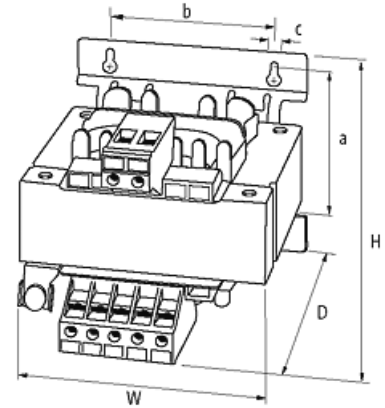
The information in this brochure has been compiled with the utmost care.

Liability for the correctness completeness and topicality of the information is restricted to gross negligence. Version: 02/21

Murrelektronik GmbH | Falkenstraße 3 | 71570 Oppenweiler | Fon +49 (71 91) 47-0 | Fax +49 (71 91) 47-491000 | shop@murrelektronik.com | shop.murrelektronik.com

country of origin	CZ
customs tariff number	85043180
EAN	4048879444170
eClass	27031302
Packaging unit	1

### Sketch



Product may differ from Image