

MTS 1-PHASE CONTROL AND ISOLATION TRANSFORMER

P: 100VA IN: 208...550VAC OUT: 2x115VAC

Single-phase - Control and Isolation Transformers

100 VA

Isolation class T 40/B

Other voltages on request.

[Link to Product](#)

Illustration



Product may differ from Image

Approvals



General data

Standards	EN 61558-1, EN 61558-2-4, EN 62041 category 0
Test isolation voltage	4 kV (prim./sec.)
Mounting method	Long-hole mounting or DIN-rail mountable TH35 (EN 60715)
Dimensions H×W×D	105×84×98 mm
Fixing centers a×b×c	64.5×64 mm
Drill hole Ø	4.8×8.4 mm
Temperature range	-20...+40 °C (storage temperature -20...+80 °C)

Output

Output voltage	1× 230, 1× 115, 2× 115 V AC
Output rating	100 VA

Input

Input voltage	208, 230, 380, 400, 420, 440, 460, 480, 500, 525, 550 V AC
Input current	0.57 A (208 V AC); 0.21 A (550 V AC)
Inrush current	9.9 A (208 V AC); 3.8 A (550 V AC)
Short-circuit current	7.6 A (208 V AC); 2.9 A (550 V AC)
Frequency	50...60 Hz

Commercial data

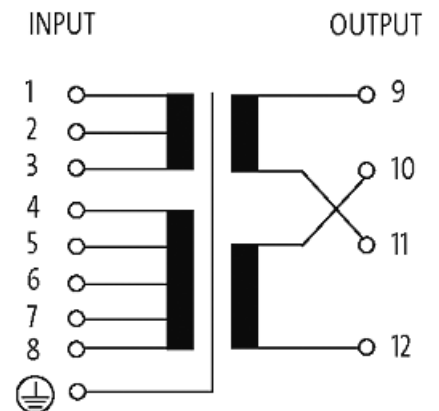
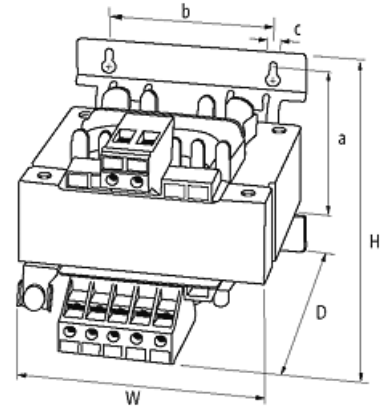
The information in this brochure has been compiled with the utmost care.

Liability for the correctness completeness and topicality of the information is restricted to gross negligence. Version: 02/21

Murrelektronik GmbH | Falkenstr. 3 | 71570 Oppenweiler | Fon +49 (71 91) 47-0 | Fax +49 (71 91) 47-491000 | shop@murrelektronik.com | shop.murrelektronik.com

country of origin	CZ
customs tariff number	85043180
EAN	4048879438759
eClass	27031302
Packaging unit	1

Sketch



Product may differ from Image