

MST 1-PHASE CONTROL AND ISOLATION TRANSFORMER

P: 400VA IN: 208...550VAC OUT: 2x115VAC

Single-phase - Control and Isolation Transformers
400 VA
Isolation class T 40/B
Other voltages on request.

[Link to Product](#)

Illustration



Product may differ from Image

Approvals



General data

Standards	EN 61558-1, EN 61558-2-4, EN 62041 category 0
Test isolation voltage	4 kV (prim./sec.)
Mounting method	Key-hole mounting
Dimensions H×W×D	115×135×132 mm
Fixing centers a×b×c	87×104 mm
Drill hole Ø	5.8×10 mm
Temperature range	-20...+40 °C (storage temperature -20...+80 °C)

Output

Output voltage	1× 230, 1× 115, 2× 115 V AC
Output rating	400 VA

Input

Input voltage	208, 230, 380, 400, 420, 440, 460, 480, 500, 525, 550 V AC
Input current	2.12 A (208 V AC); 0.8 A (550 V AC)
Inrush current	38 A (208 V AC); 15 A (550 V AC)
Short-circuit current	47 A (208 V AC); 18 A (550 V AC)
Frequency	50...60 Hz

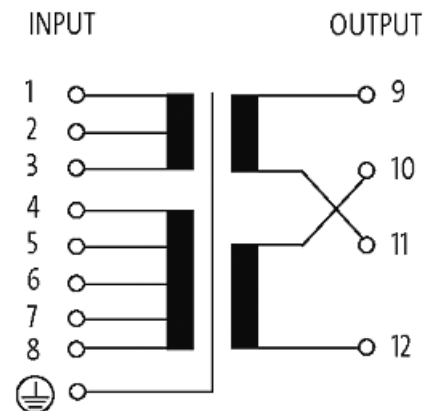
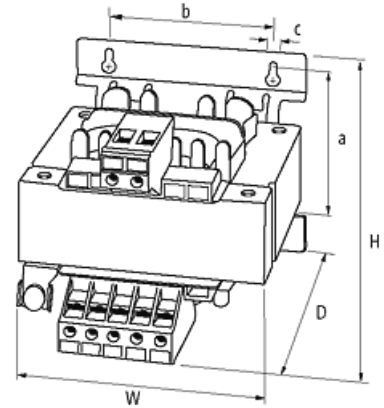
Commercial data

The information in this brochure has been compiled with the utmost care.
Liability for the correctness completeness and topicality of the information is restricted to gross negligence. Version: 02/21

Murrelektronik GmbH | Falkenstr. 3 | 71570 Oppenweiler | Fon +49 (71 91) 47-0 | Fax +49 (71 91) 47-491000 | shop@murrelektronik.com | shop.murrelektronik.com

country of origin	CZ
customs tariff number	85043180
EAN	4048879444743
eClass	27031302
Packaging unit	1

Sketch



Product may differ from Image