

MTS single phase safety transformer

P: 160VA IN: 208...550VAC OUT: 24VAC

Single-phase - Control and Isolation Transformers

160 VA

Isolation class T 40/B

Other voltages on request.

[Link to Product](#)

Illustration



Product may differ from Image

General data

Standards	EN 61558-1, EN 61558-2-6, EN 62041 category 0
Test isolation voltage	6.3 kV (prim./sec.)
Mounting method	Key-hole mounting
Dimensions H×W×D	105×96×110 mm
Fixing centers a×b×c	86.5×96×4.8 mm
Drill hole Ø	4.8×8.4 mm
Temperature range	-20...+40 °C (storage temperature -20...+80 °C)

Output

Output voltage	24 V AC
Output rating	160 VA

Input

Input voltage	208, 230, 380, 400, 420, 440, 460, 480, 500, 525, 550 V AC
Input current	0.87 A (208 V AC); 0.33 A (550 V AC)
Inrush current	16 A (208 V AC); 6.1 A (550 V AC)
Short-circuit current	14.5 A (208 V AC); 5.5 A (550 V AC)
Frequency	50...60 Hz

Commercial data

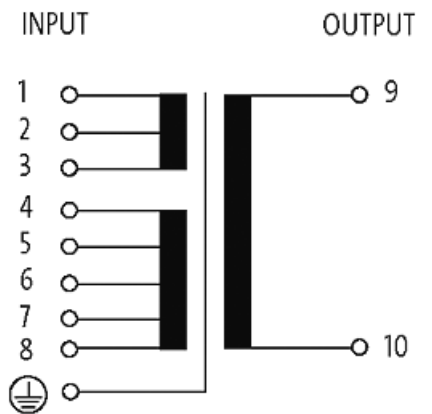
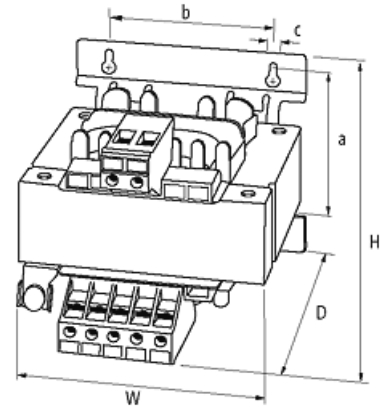
country of origin	CZ
customs tariff number	85043180
EAN	4048879437936
eClass	27031302

Packaging unit	1
----------------	---

The information in this brochure has been compiled with the utmost care.

Liability for the correctness completeness and topicality of the information is restricted to gross negligence. Version: 02/21

Murrelektronik GmbH | Falkenstraße 3 | 71570 Oppenweiler | Fon +49 (71 91) 47-0 | Fax +49 (71 91) 47-491000 | shop@murrelektronik.com | shop.murrelektronik.com

Sketch

Product may differ from Image