

## MTS 1-PHASE SAFETY TRANSFORMER

P: 40VA IN: 230/400VAC OUT: 24VAC

Single-phase safety transformer  
40 VA  
Isolation class T 40/B  
Other voltages on request.

### [Link to Product](#)

#### Illustration



Product may differ from Image

#### Approvals



#### General data

Test isolation voltage	4 kV (prim./sec.)
Standards	EN 61558-1, EN 61558-2-6, EN 62041 category 0
Drill hole Ø	4.8×8.4 mm
Mounting method	Long-hole mounting or DIN-rail mountable TH35 (EN 60715)
Fixing centers a×b×c	56×56×4.8 mm
Dimensions H×W×D	79×78×93 mm
Temperature range	-20...+40 °C (storage temperature -40...+80 °C)

#### Output

Output voltage	24 V AC (SELV)
Output rating	40 VA

#### Input

Input voltage	230/400 V AC
Input current	0.24 A (230 V AC); 0.14 A (400 V AC)
Inrush current	1.61 A (230 V AC); 0.94 A (400 V AC)
Short-circuit current	1.83 A (230 V AC); 1.02 A (400 V AC)
Frequency	50...60 Hz

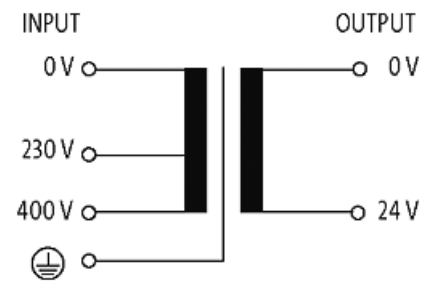
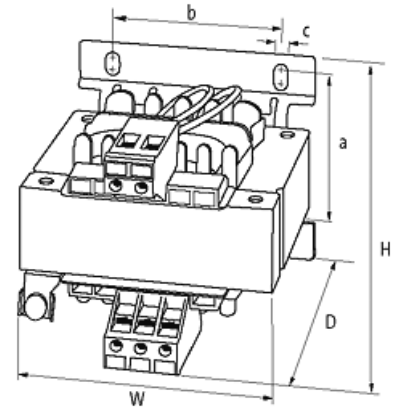
#### Commercial data

The information in this brochure has been compiled with the utmost care.

Liability for the correctness completeness and topicality of the information is restricted to gross negligence. Version: 02/21

Murrelektronik GmbH | Falkenstr. 3 | 71570 Oppenweiler | Fon +49 (71 91) 47-0 | Fax +49 (71 91) 47-491000 | shop@murrelektronik.com | shop.murrelektronik.com

country of origin	CZ
customs tariff number	85043180
EAN	4048879078559
eClass	27031302
Packaging unit	1

**Sketch**

Product may differ from Image