

## MTS 1-PHASE SAFETY TRANSFORMER

P: 250VA IN: 230/400VAC OUT: 24VAC

Single-phase safety transformer  
250 VA  
Isolation class T 40/B  
Other voltages on request.

### [Link to Product](#)

#### Illustration



Product may differ from Image

#### Approvals



#### General data

Standards	EN 61558-1, EN 61558-2-6, EN 62041 category 0
Test isolation voltage	4 kV (prim./sec.)
Mounting method	Long-hole mounting or DIN-rail mountable TH35 (EN 60715)
Temperature range	-20...+40 °C (storage temperature -40...+80 °C)
Dimensions H×W×D	102×96×108 mm
Fixing centers a×b×c	86.5×84×4.8 mm
Drill hole Ø	4.8×8.4 mm

#### Output

Output voltage	24 V AC (SELV)
Output rating	250 VA

#### Input

Input voltage	230/400 V AC
Frequency	50...60 Hz
Input current	1.2 A (230 V AC); 0.69 A (400 V AC)
Inrush current	8.2 A (230 V AC); 4.74 A (400 V AC)
Short-circuit current	1.83 A (230 V AC); 1.02 A (400 V AC)

#### Commercial data

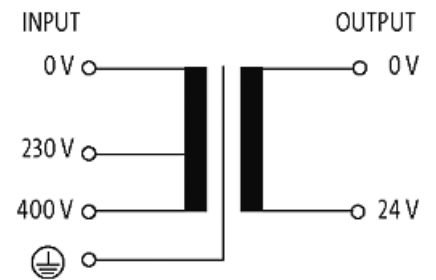
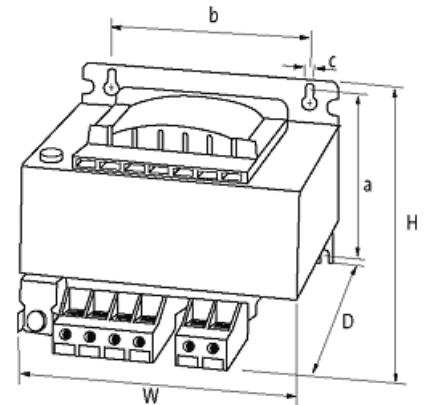
The information in this brochure has been compiled with the utmost care.

Liability for the correctness completeness and topicality of the information is restricted to gross negligence. Version: 02/21

Murrelektronik GmbH | Falkenstr. 3 | 71570 Oppenweiler | Fon +49 (71 91) 47-0 | Fax +49 (71 91) 47-491000 | shop@murrelektronik.com | shop.murrelektronik.com

country of origin	CZ
customs tariff number	85043180
EAN	4048879078511
eClass	27031302
Packaging unit	1

### Sketch



Product may differ from Image