

## MTS 1-PHASE CONTROL AND ISOLATION TRANSFORMER

P: 63VA IN: 230/400VAC OUT: 230VAC

Single-phase - Control and Isolation Transformers  
 63 VA  
 Isolation class T 40/B  
 Protection IP20  
 Other voltages on request.

### [Link to Product](#)

#### Illustration



Product may differ from Image

#### Approvals



#### General data

Test isolation voltage	4 kV (prim./sec.)
Standards	EN 61558-1, EN 61558-2-4, EN 62041 category 0
Drill hole Ø	4.8×8.4 mm
Mounting method	Long-hole mounting or DIN-rail mountable TH35 (EN 60715)
Fixing centers a×b×c	56×56×4.8 mm
Dimensions H×W×D	79×78×93 mm
Temperature range	-20...+40 °C (storage temperature -40...+80 °C)

#### Output

Output voltage	230 V AC
Output rating	63 VA

#### Input

Input voltage	230/400 V AC
Input current	0.32 A (230 V AC); 0.18 A (400 V AC)
Inrush current	2 A (230 V AC); 1.15 A (400 V AC)
Short-circuit current	2.64 A (230 V AC); 1.52 A (400 V AC)
Frequency	50...60 Hz

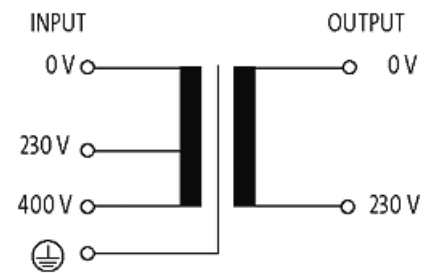
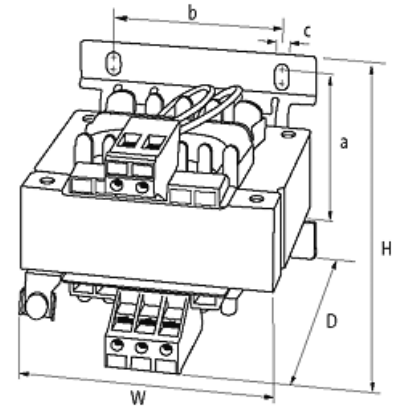
The information in this brochure has been compiled with the utmost care.

Liability for the correctness completeness and topicality of the information is restricted to gross negligence. Version: 02/21

Murrelektronik GmbH | Falkenstraße 3 | 71570 Oppenweiler | Fon +49 (71 91) 47-0 | Fax +49 (71 91) 47-491000 | shop@murrelektronik.com | shop.murrelektronik.com

**Commercial data**

country of origin	CZ
customs tariff number	85043180
EAN	4048879078498
eClass	27031302
Packaging unit	1

**Sketch**

Product may differ from Image