

MST SINGLE-PHASE CONTROL AND ISOLATION TRANSFORMER

P:63VA IN:230/400VAC±15VAC OUT:230VAC

Single-phase - Control and Isolation Transformers
 63 VA
 Isolation class T 40/B
 Other voltages on request.

[Link to Product](#)**Illustration**

Product may differ from Image

General data

Standards	EN 61558-2-4, EN 62041 category 0
Test isolation voltage	4.7 kV
Mounting method	Key-hole mounting
Dimensions H×W×D	69×78×90 mm
Fixing centers a×b×c	47.5×56×4.8 mm
Temperature range	-20...+40 °C (storage temperature -40...+80 °C)

Output

Output voltage	230 V AC
Output rating	63 VA

Input

Input voltage	230/400 ±15 V AC
Input current	0.32 A (230 V AC); 0.18 A (400 V AC)
Inrush current	2.2 A (230 V AC); 1.3 A (400 V AC)
Short-circuit current	2.9 A (230 V AC); 1.7 A (400 V AC)
Frequency	50...60 Hz

Commercial data

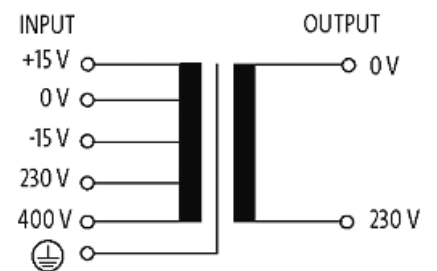
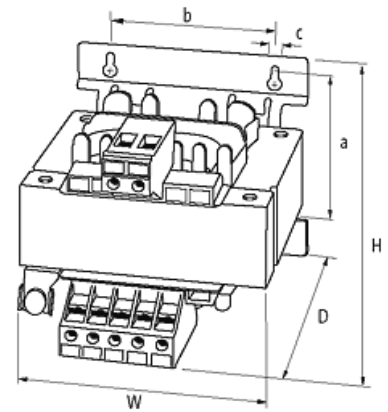
country of origin	CZ
customs tariff number	85043180
EAN	4048879073950
eClass	27031202
Packaging unit	1

Sketch

The information in this brochure has been compiled with the utmost care.

Liability for the correctness completeness and topicality of the information is restricted to gross negligence. Version: 02/21

Murrelektronik GmbH | Falkenstraße 3 | 71570 Oppenweiler | Fon +49 (71 91) 47-0 | Fax +49 (71 91) 47-491000 | shop@murrelektronik.com | shop.murrelektronik.com



Product may differ from Image