

MDT THREE-PHASE CONTROL AND ISOLATION TRANSFORMER

P:2000VA IN:3x400VAC OUT:3x400VAC

3-phase isolation transformer
2000 VA
Isolation class T 40/B
Other voltages on request.

[Link to Product](#)**Illustration**

Product may differ from Image

General data

Standards	EN 61558-1, EN 61558-2-4, EN 62041 category 0
Test isolation voltage	5.8 kV (prim./sec.)
Mounting method	screw fixing
Dimensions H×W×D	141×240×265 mm
Fixing centers a×b×c	115×190×11 mm
Drill hole Ø	11×15 mm
Temperature range	-20...+40 °C (storage temperature -20...+80 °C)

Output

Output voltage	3× 400 V AC
Output rating	2000 VA

Input

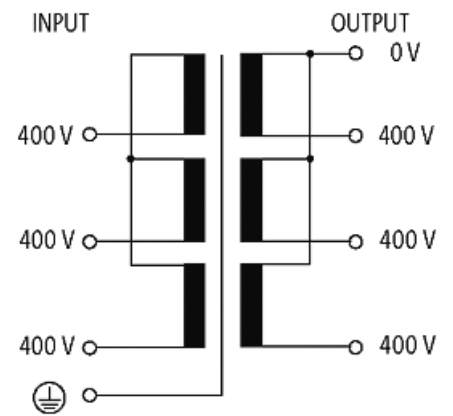
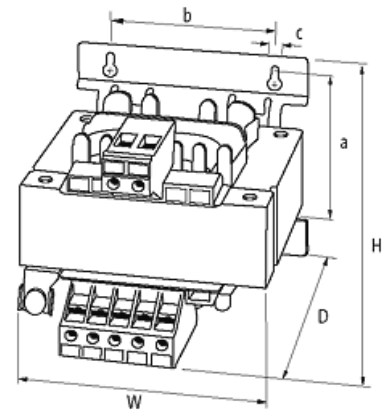
Input voltage	3× 400 V AC
Input current	3.1 A (3× 400 V AC)
Inrush current	81 A (3× 400 V AC)
Short-circuit current	103 A (400 V AC)
Frequency	50...60 Hz

Commercial data

country of origin	CZ
customs tariff number	85043200
EAN	4048879073905
eClass	27031301

Packaging unit

1

Sketch

Product may differ from Image