

MTS SINGLE-PHASE CONTROL AND ISOLATION TRANSFORMER

P:250VA IN:500VAC OUT:230VAC

Single-phase - Control and Isolation Transformers
 250 VA
 Isolation class T 40/B
 Other voltages on request.

[Link to Product](#)

Illustration



Product may differ from Image

General data

Standards	EN 61558-2-4, EN 62041 category 0
Test isolation voltage	6.3 kV (prim./sec.)
Mounting method	Screw and DIN-rail mounting
Dimensions H×W×D	104×97×108 mm
Fixing centers a×b×c	86.5×84×4.8 mm
Drill hole Ø	4.8×8.4 mm
Temperature range	-20...+40 °C (storage temperature -40...+80 °C)

Output

Output voltage	230 V AC
Output rating	250 VA

Input

Input voltage	500 V AC
Input current	0.6 A (500 V AC)
Inrush current	8.4 A (500 V AC)
Short-circuit current	11.2 A (500 V AC)
Frequency	50...60 Hz

Commercial data

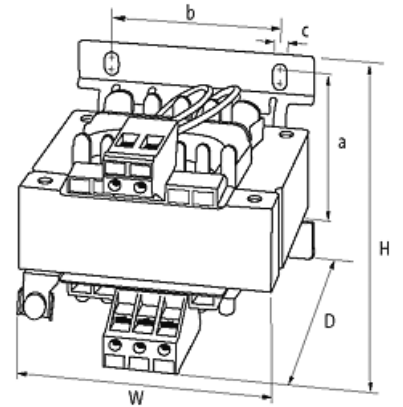
country of origin	CZ
customs tariff number	85043180
EAN	4048879073752
eClass	27031202
Packaging unit	1

The information in this brochure has been compiled with the utmost care.

Liability for the correctness completeness and topicality of the information is restricted to gross negligence. Version: 02/21

Murrelektronik GmbH | Falkenstraße 3 | 71570 Oppenweiler | Fon +49 (71 91) 47-0 | Fax +49 (71 91) 47-491000 | shop@murrelektronik.com | shop.murrelektronik.com

Sketch



Product may differ from Image