

## MTS SINGLE-PHASE CONTROL AND ISOLATION TRANSFORMER

P:63VA IN:230VAC±15VAC OUT:230VAC/2x0VAC

Single-phase - Control and Isolation Transformers  
63 VA  
Isolation class T 40/B  
Other voltages on request.

### [Link to Product](#)

#### Illustration



Product may differ from Image

#### General data

Standards	EN 61558-2-4, EN 62041 category 0
Test isolation voltage	3.8 kV
Mounting method	Screw and DIN-rail mounting
Dimensions H×W×D	92×79×93 mm
Fixing centers a×b×c	56×56×4.8 mm
Drill hole Ø	4.8×8.4 mm
Temperature range	-20...+40 °C (storage temperature -40...+80 °C)

#### Output

Output voltage	230 V AC
Output rating	63 VA

#### Input

Input voltage	230 V AC ±15 V AC
Input current	0.322 A (230 V AC)
Inrush current	2 A (230 V AC)
Short-circuit current	2.64 A (230 V AC)
Frequency	50...60 Hz

#### Commercial data

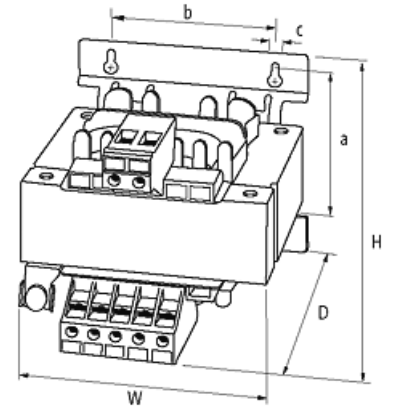
country of origin	CZ
customs tariff number	85043180
EAN	4048879301657
eClass	27031202
Packaging unit	1

The information in this brochure has been compiled with the utmost care.

Liability for the correctness completeness and topicality of the information is restricted to gross negligence. Version: 02/21

Murrelektronik GmbH | Falkenstraße 3 | 71570 Oppenweiler | Fon +49 (71 91) 47-0 | Fax +49 (71 91) 47-491000 | shop@murrelektronik.com | shop.murrelektronik.com

Sketch



Product may differ from Image