

**MST SINGLE-PHASE CONTROL AND ISOLATION TRANSFORMER**

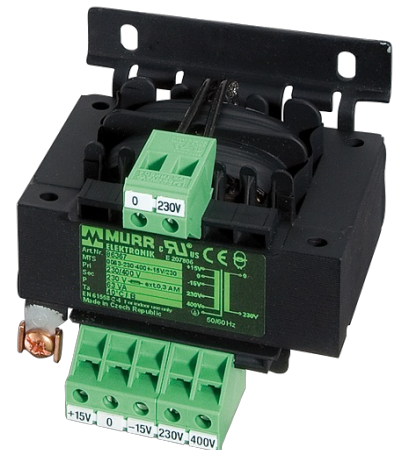
P:160VA IN:200/208/220/240VAC OUT:2x115VAC

Single-phase - Control and Isolation Transformers

160 VA

Isolation class T 40/B

Other voltages on request.

[Link to Product](#)**Illustration**

Product may differ from Image

**Approvals****General data**

Standards	EN 61558-1, EN 61558-2-4, EN 62041 category 0
Test isolation voltage	3.9 kV
Mounting method	Key-hole mounting
Dimensions H×W×D	91×97×105 mm
Fixing centers a×b×c	75.3×84×5.8 mm
Drill hole Ø	5.8×12 mm
Temperature range	-20...+40 °C (storage temperature -40...+80 °C)

**Output**

Output voltage	2x 115 V AC
Output rating	160 VA

**Input**

Input voltage	200, 208, 220, 240 V AC
Input current	0.92 A (200 V AC)
Inrush current	9 A (200 V AC)
Short-circuit current	14.4 A (200 V AC)
Frequency	50...60 Hz

**Commercial data**

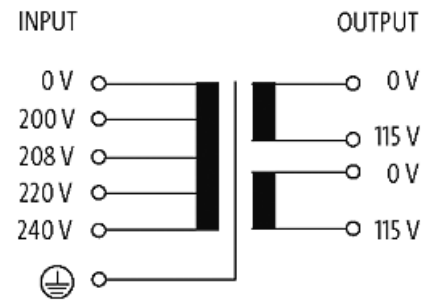
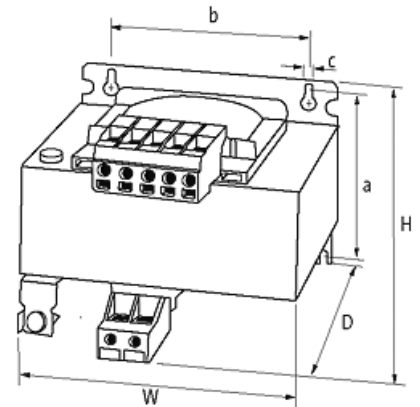
The information in this brochure has been compiled with the utmost care.

Liability for the correctness completeness and topicality of the information is restricted to gross negligence. Version: 02/21

Murrelektronik GmbH | Falkenstr. 3 | 71570 Oppenweiler | Fon +49 (71 91) 47-0 | Fax +49 (71 91) 47-491000 | shop@murrelektronik.com | shop.murrelektronik.com

country of origin	CZ
customs tariff number	85043180
EAN	4048879311632
eClass	27031202
Packaging unit	1

### Sketch



Product may differ from Image