

MST SINGLE-PHASE CONTROL AND ISOLATION TRANSFORMER

P:500VA IN:400/440VAC OUT:115/230VAC

Single-phase - Control and Isolation Transformers
 500 VA
 Isolation class T 40/B
 Other voltages on request.

[Link to Product](#)**Illustration**

Product may differ from Image

General data

Standards	EN 61558-2-4, EN 62041 category 0
Test isolation voltage	5.9 kV
Mounting method	Key-hole mounting
Dimensions H×W×D	130×120×140 mm
Fixing centers a×b×c	103.5×90×5.8 mm
Drill hole Ø	5.8×12 mm
Temperature range	-20...+40 °C (storage temperature -40...+80 °C)

Output

Output voltage	1 × 230, 1 × 115, 2 × 115 V AC
Output rating	500 VA

Input

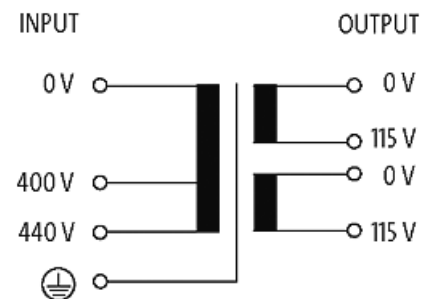
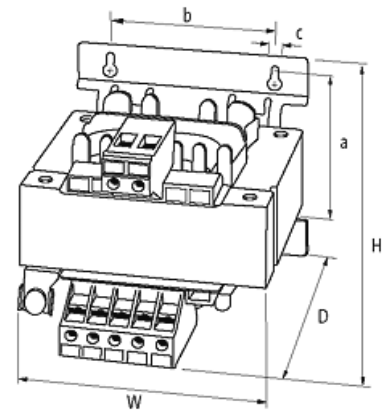
Input voltage	400, 440 V AC
Input current	1.37 A (400 V AC); 1.25 A (440 V AC)
Inrush current	13 A (400 V AC); 12 A (440 V AC)
Short-circuit current	32 A (400 V AC); 29 A (440 V AC)
Frequency	50...60 Hz

Commercial data

country of origin	CZ
customs tariff number	85043180
EAN	4048879325837
eClass	27031202

Packaging unit

1

Sketch

Product may differ from Image