

**MST SINGLE-PHASE CONTROL AND ISOLATION TRANSFORMER**

P:415VA IN:230/400/460VAC±10VAC±20VAC OUT:24/230VAC

Single-phase - Control and Isolation Transformers

415 VA

Isolation class T 40/B

Other voltages on request.

[Link to Product](#)**Illustration**

Product may differ from Image

**Approvals****General data**

Test isolation voltage	4 kV (prim./sec.)
Standards	EN 61558-1, EN 61558-2-6, EN 62041 category 0
Mounting method	Key-hole mounting
Fixing centers a×b×c	105.6×122×7 mm
Drill hole Ø	7×11 mm
Dimensions H×W×D	112.5×150×150 mm
Temperature range	-20...+40 °C (storage temperature -40...+80 °C)

**Output**

Output voltage	24/230 V AC (SELV)
Output rating	415 VA

**Input**

Input voltage	230/400/460 V AC
Inrush current	10 A (230 V AC); 5 A (460 V AC)
Short-circuit current	29 A (230 V AC); 15 A (460 V AC)
Input current	2.1 A (230 V AC); 1 A (460 V AC)
Frequency	50...60 Hz

**Commercial data**

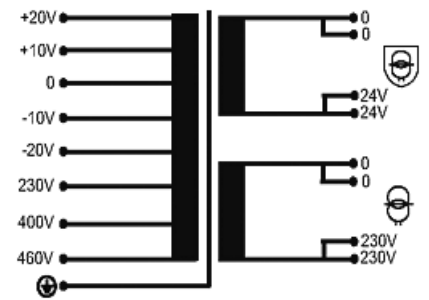
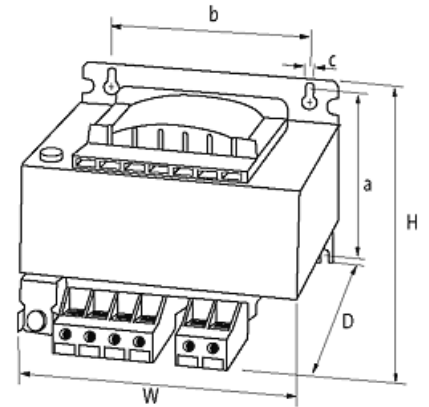
The information in this brochure has been compiled with the utmost care.

Liability for the correctness completeness and topicality of the information is restricted to gross negligence. Version: 02/21

Murrelektronik GmbH | Falkenstr. 3 | 71570 Oppenweiler | Fon +49 (71 91) 47-0 | Fax +49 (71 91) 47-491000 | shop@murrelektronik.com | shop.murrelektronik.com

country of origin	CZ
customs tariff number	85043180
EAN	4048879340748
eClass	27031202
Packaging unit	1

### Sketch



Product may differ from Image