

Reversing contactor assembly AC-3, 45 kW/400 V, 3-pole Size S3,
Screw terminal 24 V DC Electrical and mechanical interlock !!!
Phased-out product !!! Successor is SIRIUS 3RA2 Preferred
successor type is >>3RA2346-8XB30-1NB3<<



Size of contactor	S3
Product function	Reversing contactor
protection class IP on the front	IP20
Reference code acc. to DIN EN 81346-2	Q
Ambient temperature	
• during operation	-25 ... +60 °C
Operating current	
• at AC-3 at 400 V rated value	95 A
Operating power at AC-3 at 400 V rated value	45 kW
Type of voltage of the control supply voltage	DC
Control supply voltage 1	
• at DC rated value	24 V
Number of NC contacts for auxiliary contacts per direction of rotation	0
Number of NO contacts for auxiliary contacts per direction of rotation	0
Mounting type	screw and snap-on mounting onto 35 mm standard mounting rail according to DIN EN 50022
Height	169 mm
Width	150 mm

Depth	152 mm
Type of electrical connection for main current circuit	screw-type terminals

Further information

Information- and Downloadcenter (Catalogs, Brochures,...)

<https://www.siemens.com/ic10>

Industry Mall (Online ordering system)

<https://mall.industry.siemens.com/mall/en/en/Catalog/product?mlfb=3RA1346-8XB30-1BB4>

Cax online generator

<http://support.automation.siemens.com/WW/CAXorder/default.aspx?lang=en&mlfb=3RA1346-8XB30-1BB4>

Service&Support (Manuals, Certificates, Characteristics, FAQs,...)

<https://support.industry.siemens.com/cs/ww/en/ps/3RA1346-8XB30-1BB4>

Image database (product images, 2D dimension drawings, 3D models, device circuit diagrams, EPLAN macros, ...)

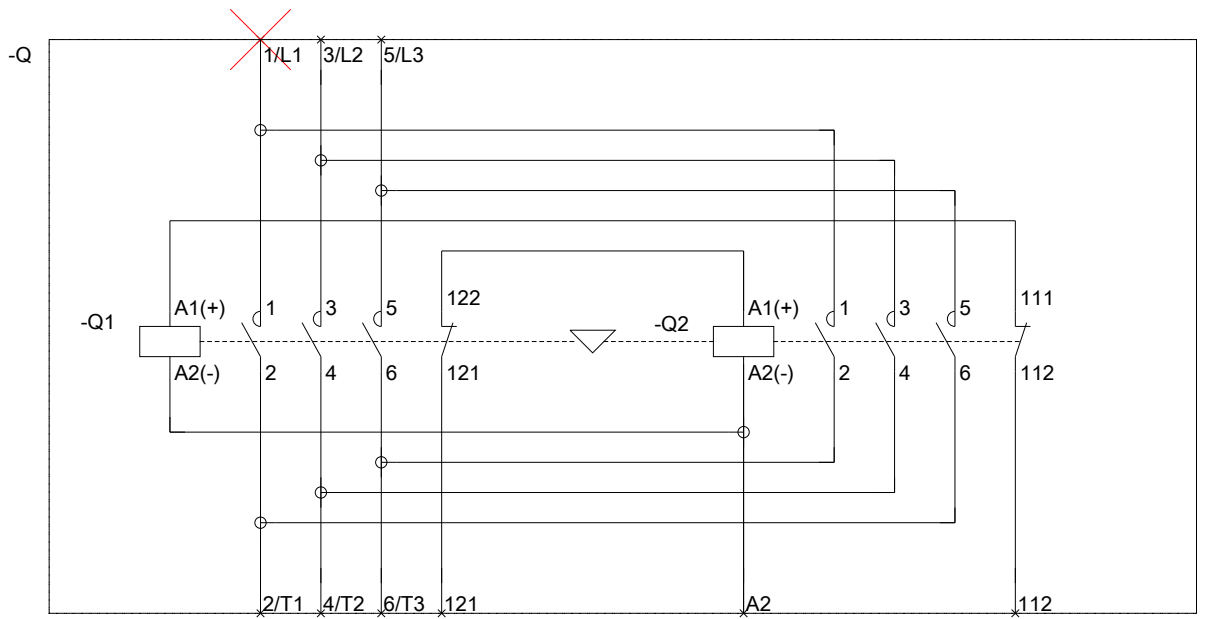
http://www.automation.siemens.com/bilddb/cax_de.aspx?mlfb=3RA1346-8XB30-1BB4&lang=en

Characteristic: Tripping characteristics, I²t, Let-through current

<https://support.industry.siemens.com/cs/ww/en/ps/3RA1346-8XB30-1BB4/char>

Further characteristics (e.g. electrical endurance, switching frequency)

<http://www.automation.siemens.com/bilddb/index.aspx?view=Search&mlfb=3RA1346-8XB30-1BB4&objecttype=14&gridview=view1>



last modified:

08/13/2020