

Coupling link for front-end mounting to AC, DC, AC / DC Contactors, 3RT2 S00-S3, 24 V DC Control, Spring-type terminal



General technical data		
Product brand name		SIRIUS
Size of contactor		S00, S0, S2, S3
Protection class IP on the front		IP20
Degree of pollution		3
Product component protective wiring		Yes
Ambient temperature		
• during storage	°C	-40 ... +80
• during operation	°C	-25 ... +60
Insulation voltage rated value	V	300
Control circuit/ Control		
Type of voltage of the control supply voltage		DC
Control supply voltage 1		
• at DC rated value	V	24
Operating range factor control supply voltage rated value of magnet coil		
• at DC		0.7 ... 1.25
Auxiliary circuit		

Number of NO contacts for auxiliary contacts instantaneous contact		1
Operating current of auxiliary contacts		
<ul style="list-style-type: none"> • at AC-12 <ul style="list-style-type: none"> — at 24 V — at 230 V • at AC-15 <ul style="list-style-type: none"> — at 24 V — at 230 V • at DC-13 <ul style="list-style-type: none"> — at 24 V — at 110 V — at 220 V 	A A A A A A A	6 6 3 3 1 0.2 0.1

Installation/ mounting/ dimensions

Mounting position		any
Mounting type		direct mounting
Width	mm	45
Height	mm	35
Depth	mm	50

Connections/ Terminals

Type of connectable conductor cross-sections		
<ul style="list-style-type: none"> • for auxiliary contacts <ul style="list-style-type: none"> — solid — finely stranded — with core end processing 		2x (0.5 ... 1.5 mm ²), 2x (0.75 ... 2.5 mm ²) 2x (0.5 ... 1.5 mm ²)

Certificates/ approvals

General Product Approval	EMC	Declaration of Conformity	Test Certificates
--------------------------	-----	---------------------------	-------------------



[Miscellaneous](#)

[Type Test Certificates/Test Report](#)

Shipping Approval



other

[Confirmation](#)



Further information

Information- and Downloadcenter (Catalogs, Brochures,...)

<https://www.siemens.com/ic10>

Industry Mall (Online ordering system)

<https://mall.industry.siemens.com/mall/en/en/Catalog/product?mlfb=3RH2914-2GP11>

Cax online generator

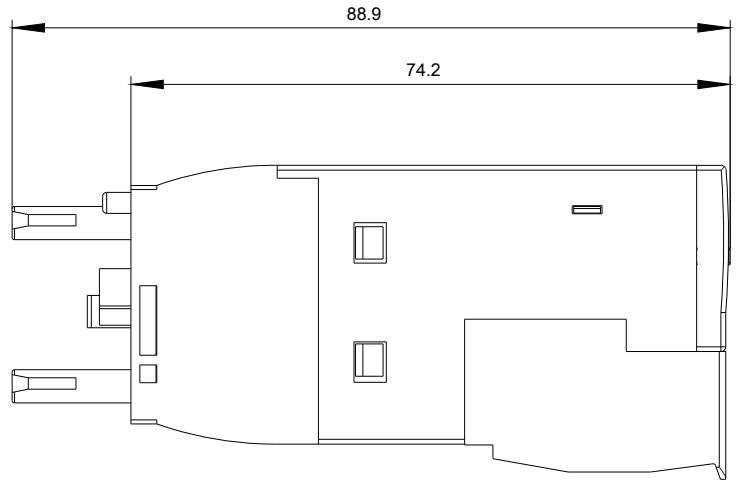
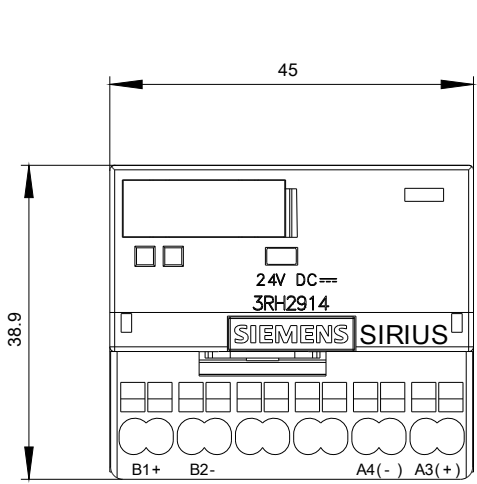
<http://support.automation.siemens.com/WW/CAXorder/default.aspx?lang=en&mlfb=3RH2914-2GP11>

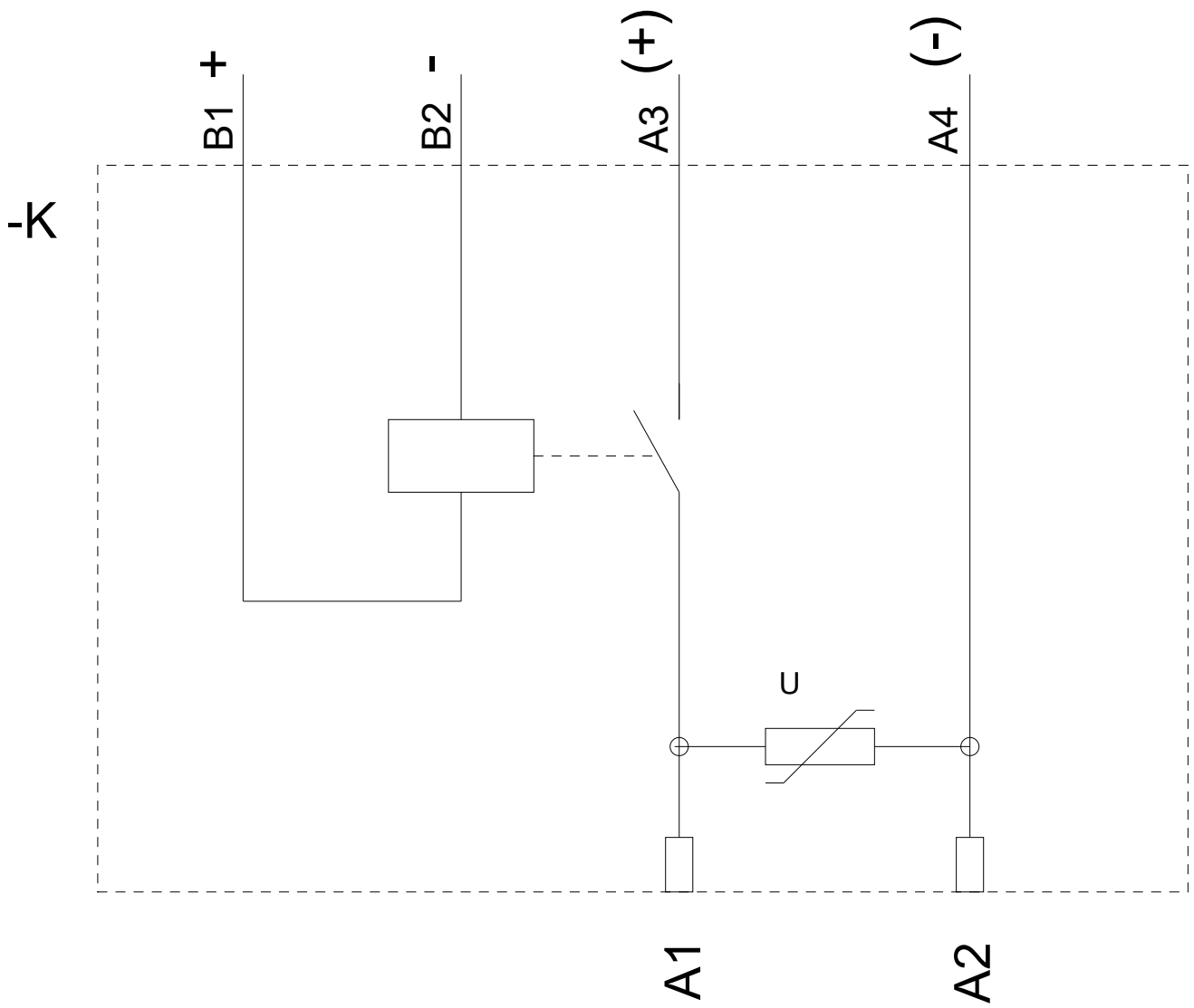
Service&Support (Manuals, Certificates, Characteristics, FAQs,...)

<https://support.industry.siemens.com/cs/ww/en/ps/3RH2914-2GP11>

Image database (product images, 2D dimension drawings, 3D models, device circuit diagrams, EPLAN macros, ...)

http://www.automation.siemens.com/bilddb/cax_de.aspx?mlfb=3RH2914-2GP11&lang=en





last modified:

03/31/2020