

Power contactor, AC-3 80 A, 37 kW / 400 V 42 V DC, 3-pole, Size S3  
Screw terminal !!! Phased-out product !!! Successor is SIRIUS 3RT2



product brand name	SIRIUS
Product designation	power contactor
<b>General technical data</b>	
<b>Size of contactor</b>	S3
• Insulation voltage rated value	1 000 V
<b>Degree of pollution</b>	3
<b>Surge voltage resistance rated value</b>	6 kV
<b>maximum permissible voltage for safe isolation</b>	
• between coil and main contacts acc. to EN 60947-1	690 V
• protection class IP on the front	IP20; IP20 on the front with cover / box terminal
• Protection class IP of the terminal	IP00
<b>Shock resistance at rectangular impulse</b>	
• at DC	6,8g / 5 ms, 4g / 10 ms
<b>Shock resistance with sine pulse</b>	
• at DC	10,6g / 5 ms, 6,2g / 10 ms
<b>Mechanical service life (switching cycles)</b>	
• of contactor typical	10 000 000

<ul style="list-style-type: none"> <li>• of the contactor with added electronics-compatible auxiliary switch block typical</li> </ul>	5 000 000
<ul style="list-style-type: none"> <li>• of the contactor with added auxiliary switch block typical</li> </ul>	10 000 000
<b>Reference code acc. to DIN EN 81346-2</b>	Q

### Ambient conditions

<b>Installation altitude at height above sea level</b>	
<ul style="list-style-type: none"> <li>• maximum</li> </ul>	2 000 m
<b>Ambient temperature</b>	
<ul style="list-style-type: none"> <li>• during operation</li> </ul>	-25 ... +60 °C
<ul style="list-style-type: none"> <li>• during storage</li> </ul>	-55 ... +80 °C

### Main circuit

<b>Number of poles for main current circuit</b>	3
<b>Number of NO contacts for main contacts</b>	3
<b>Number of NC contacts for main contacts</b>	0
<b>Operating current</b>	
<ul style="list-style-type: none"> <li>• at AC-1 at 400 V <ul style="list-style-type: none"> <li>— at ambient temperature 40 °C rated value</li> </ul> </li> </ul>	120 A
<ul style="list-style-type: none"> <li>• at AC-1 <ul style="list-style-type: none"> <li>— up to 690 V at ambient temperature 40 °C rated value</li> <li>— up to 690 V at ambient temperature 60 °C rated value</li> <li>— up to 1000 V at ambient temperature 40 °C rated value</li> <li>— up to 1000 V at ambient temperature 60 °C rated value</li> </ul> </li> </ul>	120 A 100 A 60 A 50 A
<ul style="list-style-type: none"> <li>• at AC-3 <ul style="list-style-type: none"> <li>— at 400 V rated value</li> <li>— at 690 V rated value</li> <li>— at 1000 V rated value</li> </ul> </li> </ul>	80 A 58 A 30 A
<ul style="list-style-type: none"> <li>• at AC-4 at 400 V rated value</li> </ul>	66 A
<b>Connectable conductor cross-section in main circuit at AC-1</b>	
<ul style="list-style-type: none"> <li>• at 60 °C minimum permissible</li> <li>• at 40 °C minimum permissible</li> </ul>	35 mm <sup>2</sup> 50 mm <sup>2</sup>
<b>Operating current for approx. 200000 operating cycles at AC-4</b>	
<ul style="list-style-type: none"> <li>• at 400 V rated value</li> <li>• at 690 V rated value</li> </ul>	34 A 22 A
<b>Operating current</b>	
<ul style="list-style-type: none"> <li>• at 1 current path at DC-1</li> </ul>	

<ul style="list-style-type: none"> <li>— at 24 V rated value</li> <li>— at 110 V rated value</li> <li>• with 2 current paths in series at DC-1 <ul style="list-style-type: none"> <li>— at 24 V rated value</li> <li>— at 110 V rated value</li> </ul> </li> <li>• with 3 current paths in series at DC-1 <ul style="list-style-type: none"> <li>— at 24 V rated value</li> <li>— at 110 V rated value</li> </ul> </li> </ul>	<p>100 A</p> <p>9 A</p> <p>100 A</p> <p>100 A</p> <p>100 A</p> <p>100 A</p>
<p><b>Operating current</b></p> <ul style="list-style-type: none"> <li>• at 1 current path at DC-3 at DC-5 <ul style="list-style-type: none"> <li>— at 24 V rated value</li> <li>— at 110 V rated value</li> </ul> </li> <li>• with 2 current paths in series at DC-3 at DC-5 <ul style="list-style-type: none"> <li>— at 24 V rated value</li> <li>— at 110 V rated value</li> </ul> </li> <li>• with 3 current paths in series at DC-3 at DC-5 <ul style="list-style-type: none"> <li>— at 24 V rated value</li> <li>— at 110 V rated value</li> </ul> </li> </ul>	<p>40 A</p> <p>2.5 A</p> <p>100 A</p> <p>100 A</p> <p>100 A</p> <p>100 A</p>
<p><b>Operating power</b></p> <ul style="list-style-type: none"> <li>• at AC-1 <ul style="list-style-type: none"> <li>— at 230 V at 60 °C rated value</li> <li>— at 400 V rated value</li> <li>— at 690 V rated value</li> <li>— at 690 V at 60 °C rated value</li> <li>— at 1000 V at 60 °C rated value</li> </ul> </li> <li>• at AC-2 at 400 V rated value</li> <li>• at AC-3 <ul style="list-style-type: none"> <li>— at 230 V rated value</li> <li>— at 400 V rated value</li> <li>— at 500 V rated value</li> <li>— at 690 V rated value</li> <li>— at 1000 V rated value</li> </ul> </li> </ul>	<p>38 kW</p> <p>66 kW</p> <p>114 kW</p> <p>114 kW</p> <p>82 W</p> <p>37 kW</p> <p>22 kW</p> <p>37 kW</p> <p>45 kW</p> <p>55 kW</p> <p>37 W</p>
<p><b>Operating power for approx. 200000 operating cycles at AC-4</b></p> <ul style="list-style-type: none"> <li>• at 400 V rated value</li> <li>• at 690 V rated value</li> </ul>	<p>17.9 kW</p> <p>21.1 kW</p>
<p><b>Thermal short-time current limited to 10 s</b></p>	<p>760 A</p>
<p><b>No-load switching frequency</b></p> <ul style="list-style-type: none"> <li>• at DC</li> </ul>	<p>1 000 1/h</p>
<p><b>Operating frequency</b></p> <ul style="list-style-type: none"> <li>• at AC-1 maximum</li> <li>• at AC-2 maximum</li> </ul>	<p>900 1/h</p> <p>400 1/h</p>

- at AC-3 maximum 1 000 1/h
- at AC-4 maximum 300 1/h

### Control circuit/ Control

<b>Type of voltage of the control supply voltage</b>	DC
<b>Control supply voltage at DC</b>	
• rated value	42 V
<b>Operating range factor control supply voltage rated value of magnet coil at DC</b>	
• initial value	0.8
• Full-scale value	1.1
<b>Closing power of magnet coil at DC</b>	15 W
<b>Holding power of magnet coil at DC</b>	15 W
<b>Closing delay</b>	
• at DC	90 ... 230 ms
<b>Opening delay</b>	
• at DC	14 ... 20 ms
<b>Arcing time</b>	10 ... 15 ms

### Auxiliary circuit

<b>Number of NC contacts for auxiliary contacts</b>	
• instantaneous contact	0
<b>Number of NO contacts for auxiliary contacts</b>	
• instantaneous contact	0
<b>Operating current at AC-12 maximum</b>	10 A
<b>Operating current at AC-15</b>	
• at 230 V rated value	6 A
• at 400 V rated value	3 A
<b>Operating current at DC-12</b>	
• at 60 V rated value	6 A
• at 110 V rated value	3 A
• at 220 V rated value	1 A
<b>Operating current at DC-13</b>	
• at 24 V rated value	10 A
• at 60 V rated value	2 A
• at 110 V rated value	1 A
• at 220 V rated value	0.3 A
<b>contact reliability of auxiliary contacts</b>	1 faulty switching per 100 million (17 V, 1 mA)

### UL/CSA ratings

<b>Contact rating of auxiliary contacts according to UL</b>	A600 / Q600
---	-------------

### Short-circuit protection

<b>Design of the fuse link</b>	
• for short-circuit protection of the main circuit	

- with type of coordination 1 required
- with type of assignment 2 required
- for short-circuit protection of the auxiliary switch required

fuse gL/gG: 250 A  
 fuse gL/gG: 160 A  
 fuse gL/gG: 10 A

### Installation/ mounting/ dimensions

<b>Mounting type</b>	screw and snap-on mounting onto 35 mm and 75 mm standard mounting rail
• Side-by-side mounting	Yes
<b>Height</b>	146 mm
<b>Width</b>	70 mm
<b>Depth</b>	152 mm
<b>Required spacing</b>	
• for grounded parts	
— at the side	6 mm

### Connections/ Terminals

• Type of electrical connection for main current circuit	screw-type terminals
• Type of electrical connection for auxiliary and control current circuit	screw-type terminals
<b>Type of connectable conductor cross-sections</b>	
• for main contacts	
— solid	2x (2.5 ... 16 mm <sup>2</sup> )
— stranded	2x (10 ... 50 mm <sup>2</sup> )
— single or multi-stranded	2x (2,5 ... 16 mm <sup>2</sup> )
— finely stranded with core end processing	2x (2.5 ... 35 mm <sup>2</sup> )
— finely stranded without core end processing	2x (10 ... 35 mm <sup>2</sup> )
• at AWG conductors for main contacts	2x (10 ... 1/0)
<b>Type of connectable conductor cross-sections</b>	
• for auxiliary contacts	
— solid	2x (0.5 ... 1.5 mm <sup>2</sup> ), 2x (0.75 ... 2.5 mm <sup>2</sup> ), max. 2x (0.75 ... 4 mm <sup>2</sup> )
— finely stranded with core end processing	2x (0.5 ... 1.5 mm <sup>2</sup> ), 2x (0.75 ... 2.5 mm <sup>2</sup> )
• at AWG conductors for auxiliary contacts	2x (20 ... 16), 2x (18 ... 14), 1x 12

### Certificates/ approvals

General Product Approval	EMC	Functional Safety/Safety of Machinery
--------------------------	-----	---------------------------------------



[Type Examination Certificate](#)

Declaration of Conformity	Test Certificates	Marine / Shipping
---------------------------	-------------------	-------------------



[Miscellaneous](#)

[Special Test Certificate](#)

[Type Test Certificates/Test Report](#)



Marine / Shipping	other	Railway
-------------------	-------	---------



[Miscellaneous](#)

[Confirmation](#)

[Special Test Certificate](#)

#### Further information

**Information- and Downloadcenter (Catalogs, Brochures,...)**

<https://www.siemens.com/ic10>

**Industry Mall (Online ordering system)**

<https://mall.industry.siemens.com/mall/en/en/Catalog/product?mlfb=3RT1045-1BD40>

**Cax online generator**

<http://support.automation.siemens.com/WW/CAXorder/default.aspx?lang=en&mlfb=3RT1045-1BD40>

**Service&Support (Manuals, Certificates, Characteristics, FAQs,...)**

<https://support.industry.siemens.com/cs/ww/en/ps/3RT1045-1BD40>

**Image database (product images, 2D dimension drawings, 3D models, device circuit diagrams, EPLAN macros, ...)**

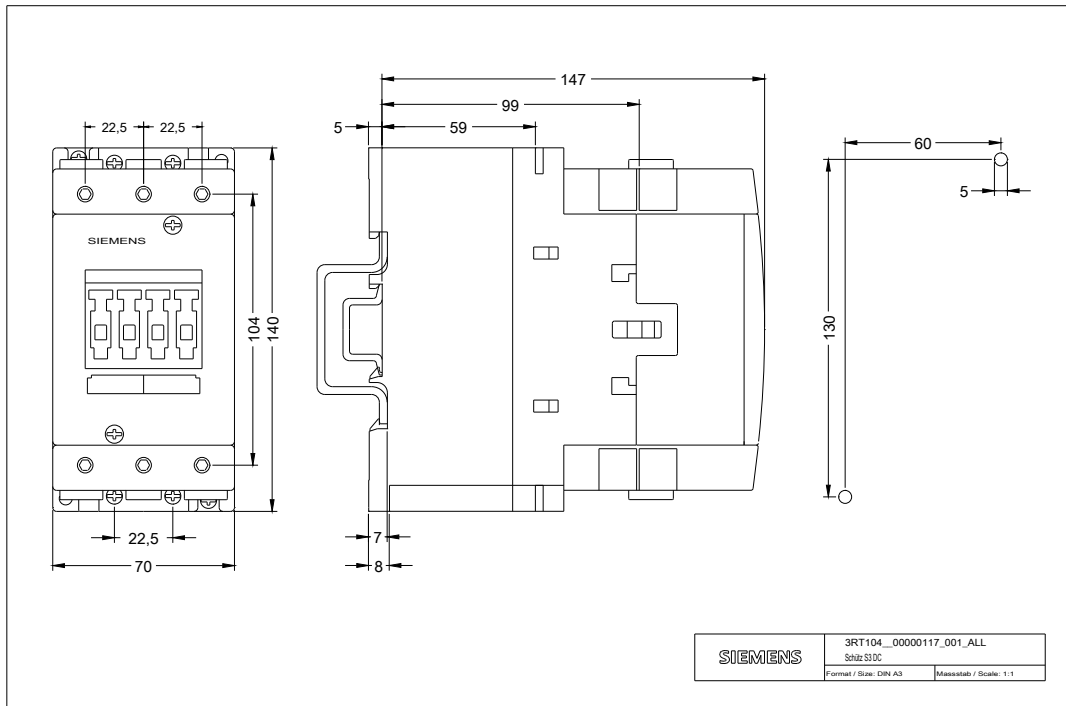
[http://www.automation.siemens.com/bilddb/cax\\_de.aspx?mlfb=3RT1045-1BD40&lang=en](http://www.automation.siemens.com/bilddb/cax_de.aspx?mlfb=3RT1045-1BD40&lang=en)

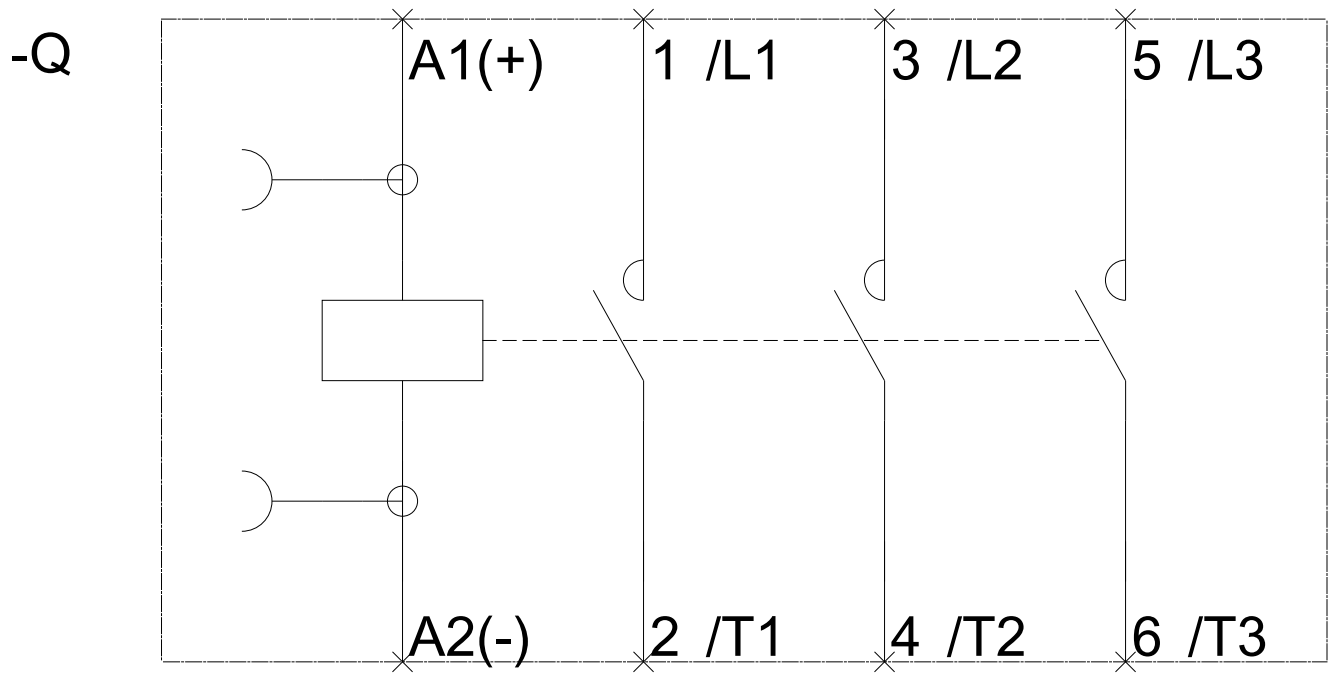
**Characteristic: Tripping characteristics, I<sup>2</sup>t, Let-through current**

<https://support.industry.siemens.com/cs/ww/en/ps/3RT1045-1BD40/char>

**Further characteristics (e.g. electrical endurance, switching frequency)**

<http://www.automation.siemens.com/bilddb/index.aspx?view=Search&mlfb=3RT1045-1BD40&objecttype=14&gridview=view1>





last modified:

08/13/2020