

Power contactor, AC-3 115 A, 55 kW / 400 V AC (50-60 Hz) / DC operation 240-277 V UC Auxiliary contacts 2 NO + 2 NC 3-pole, Size S6 with box terminals Drive: conventional screw terminal



product brand name	SIRIUS
Product designation	Power contactor
Product type designation	3RT1
<b>General technical data</b>	
Size of contactor	S6
Product extension	
• function module for communication	No
• Auxiliary switch	Yes
Power loss [W] for rated value of the current	
• at AC in hot operating state	21 W
• at AC in hot operating state per pole	7 W
Power loss [W] for rated value of the current without load current share typical	5.2 W
Surge voltage resistance	
• of main circuit rated value	8 kV
• of auxiliary circuit rated value	6 kV
maximum permissible voltage for safe isolation	
• between coil and main contacts acc. to EN 60947-1	690 V

<ul style="list-style-type: none"> <li>• protection class IP on the front</li> <li>• Protection class IP of the terminal</li> </ul>	IP20; IP20 on the front with cover / box terminal IP00
<b>Shock resistance at rectangular impulse</b> <ul style="list-style-type: none"> <li>• at AC</li> <li>• at DC</li> </ul>	8,5g / 5 ms, 4,2g / 10 ms 8,5g / 5 ms, 4,2g / 10 ms
<b>Shock resistance with sine pulse</b> <ul style="list-style-type: none"> <li>• at AC</li> <li>• at DC</li> </ul>	13,4g / 5 ms, 6,5g / 10 ms 13,4g / 5 ms, 6,5g / 10 ms
<b>Mechanical service life (switching cycles)</b> <ul style="list-style-type: none"> <li>• of contactor typical</li> <li>• of the contactor with added electronics-compatible auxiliary switch block typical</li> <li>• of the contactor with added auxiliary switch block typical</li> </ul>	10 000 000 5 000 000 10 000 000
<b>Reference code acc. to DIN EN 81346-2</b>	Q

### Ambient conditions

<b>Installation altitude at height above sea level</b> <ul style="list-style-type: none"> <li>• maximum</li> </ul>	2 000 m
<b>Ambient temperature</b> <ul style="list-style-type: none"> <li>• during operation</li> <li>• during storage</li> </ul>	-25 ... +60 °C -55 ... +80 °C

### Main circuit

<b>Number of poles for main current circuit</b>	3
<b>Number of NO contacts for main contacts</b>	3
<b>Operating voltage</b> <ul style="list-style-type: none"> <li>• at AC-3 rated value maximum</li> </ul>	1 000 V
<b>Operating current</b> <ul style="list-style-type: none"> <li>• at AC-1 at 400 V <ul style="list-style-type: none"> <li>— at ambient temperature 40 °C rated value</li> </ul> </li> <li>• at AC-1 <ul style="list-style-type: none"> <li>— up to 690 V at ambient temperature 40 °C rated value</li> <li>— up to 690 V at ambient temperature 60 °C rated value</li> <li>— up to 1000 V at ambient temperature 40 °C rated value</li> <li>— up to 1000 V at ambient temperature 60 °C rated value</li> </ul> </li> <li>• at AC-2 at 400 V rated value</li> <li>• at AC-3 <ul style="list-style-type: none"> <li>— at 400 V rated value</li> <li>— at 500 V rated value</li> </ul> </li> </ul>	160 A 160 A 140 A 80 A 80 A 115 A 115 A 115 A

— at 690 V rated value	115 A
— at 1000 V rated value	53 A
• at AC-4 at 400 V rated value	97 A
• at AC-5a up to 690 V rated value	140 A
• at AC-5b up to 400 V rated value	95 A
• at AC-6a	
— up to 230 V for current peak value n=20 rated value	115 A
— up to 400 V for current peak value n=20 rated value	115 A
— up to 500 V for current peak value n=20 rated value	115 A
— up to 690 V for current peak value n=20 rated value	115 A
— up to 1000 V for current peak value n=20 rated value	53 A
• at AC-6a	
— up to 230 V for current peak value n=30 rated value	98 A
— up to 400 V for current peak value n=30 rated value	98 A
— up to 500 V for current peak value n=30 rated value	98 A
— up to 690 V for current peak value n=30 rated value	98 A
— up to 1000 V for current peak value n=30 rated value	53 A
<b>Minimum cross-section in main circuit</b>	
• at maximum AC-1 rated value	70 mm <sup>2</sup>
<b>Operating current for approx. 200000 operating cycles at AC-4</b>	
• at 400 V rated value	54 A
• at 690 V rated value	48 A
<b>Operating current</b>	
• at 1 current path at DC-1	
— at 24 V rated value	160 A
— at 110 V rated value	18 A
— at 220 V rated value	3.4 A
— at 440 V rated value	0.8 A
— at 600 V rated value	0.5 A
• with 2 current paths in series at DC-1	
— at 24 V rated value	160 A
— at 110 V rated value	160 A

— at 220 V rated value	20 A
— at 440 V rated value	3.2 A
— at 600 V rated value	1.6 A
• with 3 current paths in series at DC-1	
— at 24 V rated value	160 A
— at 110 V rated value	160 A
— at 220 V rated value	160 A
— at 440 V rated value	11.5 A
— at 600 V rated value	4 A
<b>Operating current</b>	
• at 1 current path at DC-3 at DC-5	
— at 24 V rated value	160 A
— at 110 V rated value	2.5 A
— at 220 V rated value	0.6 A
— at 440 V rated value	0.17 A
— at 600 V rated value	0.12 A
• with 2 current paths in series at DC-3 at DC-5	
— at 24 V rated value	160 A
— at 110 V rated value	160 A
— at 220 V rated value	2.5 A
— at 440 V rated value	0.65 A
— at 600 V rated value	0.37 A
• with 3 current paths in series at DC-3 at DC-5	
— at 24 V rated value	160 A
— at 110 V rated value	160 A
— at 220 V rated value	160 A
— at 440 V rated value	1.4 A
— at 600 V rated value	0.75 A
<b>Operating power</b>	
• at AC-2 at 400 V rated value	55 kW
• at AC-3	
— at 230 V rated value	37 kW
— at 400 V rated value	55 kW
— at 500 V rated value	75 kW
— at 690 V rated value	110 kW
— at 1000 V rated value	75 kW
<b>Operating power for approx. 200000 operating cycles at AC-4</b>	
• at 400 V rated value	29 kW
• at 690 V rated value	48 kW
<b>Operating apparent output at AC-6a</b>	

<ul style="list-style-type: none"> <li>• up to 230 V for current peak value n=20 rated value</li> </ul>	40 000 kV·A
<ul style="list-style-type: none"> <li>• up to 400 V for current peak value n=20 rated value</li> </ul>	80 000 V·A
<ul style="list-style-type: none"> <li>• up to 500 V for current peak value n=20 rated value</li> </ul>	100 000 V·A
<ul style="list-style-type: none"> <li>• up to 690 V for current peak value n=20 rated value</li> </ul>	130 000 V·A
<ul style="list-style-type: none"> <li>• up to 1000 V for current peak value n=20 rated value</li> </ul>	90 000 V·A
<b>Operating apparent output at AC-6a</b>	
<ul style="list-style-type: none"> <li>• up to 230 V for current peak value n=30 rated value</li> </ul>	30 000 V·A
<ul style="list-style-type: none"> <li>• up to 400 V for current peak value n=30 rated value</li> </ul>	60 000 V·A
<ul style="list-style-type: none"> <li>• up to 500 V for current peak value n=30 rated value</li> </ul>	80 000 V·A
<ul style="list-style-type: none"> <li>• up to 690 V for current peak value n=30 rated value</li> </ul>	110 000 V·A
<ul style="list-style-type: none"> <li>• up to 1000 V for current peak value n=30 rated value</li> </ul>	90 000 V·A
<b>Short-time withstand current in cold operating state up to 40 °C</b>	
<ul style="list-style-type: none"> <li>• limited to 1 s switching at zero current maximum</li> </ul>	2 565 A; Use minimum cross-section acc. to AC-1 rated value
<ul style="list-style-type: none"> <li>• limited to 5 s switching at zero current maximum</li> </ul>	1 654 A; Use minimum cross-section acc. to AC-1 rated value
<ul style="list-style-type: none"> <li>• limited to 10 s switching at zero current maximum</li> </ul>	1 170 A; Use minimum cross-section acc. to AC-1 rated value
<ul style="list-style-type: none"> <li>• limited to 30 s switching at zero current maximum</li> </ul>	729 A; Use minimum cross-section acc. to AC-1 rated value
<ul style="list-style-type: none"> <li>• limited to 60 s switching at zero current maximum</li> </ul>	572 A; Use minimum cross-section acc. to AC-1 rated value
<b>No-load switching frequency</b>	
<ul style="list-style-type: none"> <li>• at AC</li> </ul>	2 000 1/h
<ul style="list-style-type: none"> <li>• at DC</li> </ul>	2 000 1/h
<b>Operating frequency</b>	
<ul style="list-style-type: none"> <li>• at AC-1 maximum</li> </ul>	800 1/h
<ul style="list-style-type: none"> <li>• at AC-2 maximum</li> </ul>	400 1/h
<ul style="list-style-type: none"> <li>• at AC-3 maximum</li> </ul>	1 000 1/h
<ul style="list-style-type: none"> <li>• at AC-4 maximum</li> </ul>	130 1/h
<b>Control circuit/ Control</b>	
<b>Type of voltage of the control supply voltage</b>	AC/DC
<b>Control supply voltage at AC</b>	

<ul style="list-style-type: none"> <li>• at 50 Hz rated value</li> <li>• at 60 Hz rated value</li> </ul>	240 ... 277 V 240 ... 277 V
<b>Control supply voltage at DC</b>	
<ul style="list-style-type: none"> <li>• rated value</li> </ul>	240 ... 277 V
<b>Operating range factor control supply voltage rated value of magnet coil at DC</b>	
<ul style="list-style-type: none"> <li>• initial value</li> <li>• Full-scale value</li> </ul>	0.8 1.1
<b>Operating range factor control supply voltage rated value of magnet coil at AC</b>	
<ul style="list-style-type: none"> <li>• at 50 Hz</li> <li>• at 60 Hz</li> </ul>	0.8 ... 1.1 0.8 ... 1.1
<b>Design of the surge suppressor</b>	with varistor
<b>Apparent pick-up power of magnet coil at AC</b>	
<ul style="list-style-type: none"> <li>• at 50 Hz</li> </ul>	300 V·A
<b>Inductive power factor with closing power of the coil</b>	
<ul style="list-style-type: none"> <li>• at 50 Hz</li> </ul>	0.9
<b>Apparent holding power of magnet coil at AC</b>	
<ul style="list-style-type: none"> <li>• at 50 Hz</li> </ul>	5.8 V·A
<b>Inductive power factor with the holding power of the coil</b>	
<ul style="list-style-type: none"> <li>• at 50 Hz</li> </ul>	0.8
<b>Closing power of magnet coil at DC</b>	360 W
<b>Holding power of magnet coil at DC</b>	5.2 W
<b>Closing delay</b>	
<ul style="list-style-type: none"> <li>• at AC</li> <li>• at DC</li> </ul>	20 ... 95 ms 20 ... 95 ms
<b>Opening delay</b>	
<ul style="list-style-type: none"> <li>• at AC</li> <li>• at DC</li> </ul>	40 ... 60 ms 40 ... 60 ms
<b>Arcing time</b>	10 ... 15 ms
<b>Control version of the switch operating mechanism</b>	Standard A1 - A2

#### Auxiliary circuit

<b>Number of NC contacts for auxiliary contacts</b>	
<ul style="list-style-type: none"> <li>• instantaneous contact</li> </ul>	2
<b>Number of NO contacts for auxiliary contacts</b>	
<ul style="list-style-type: none"> <li>• instantaneous contact</li> </ul>	2
Operating current at AC-12 maximum	10 A
<b>Operating current at AC-15</b>	
<ul style="list-style-type: none"> <li>• at 230 V rated value</li> <li>• at 400 V rated value</li> <li>• at 500 V rated value</li> </ul>	6 A 3 A 2 A

<ul style="list-style-type: none"> <li>• at 690 V rated value</li> </ul>	1 A
<b>Operating current at DC-12</b>	
<ul style="list-style-type: none"> <li>• at 24 V rated value</li> <li>• at 48 V rated value</li> <li>• at 60 V rated value</li> <li>• at 110 V rated value</li> <li>• at 125 V rated value</li> <li>• at 220 V rated value</li> <li>• at 600 V rated value</li> </ul>	10 A 6 A 6 A 3 A 2 A 1 A 0.15 A
<b>Operating current at DC-13</b>	
<ul style="list-style-type: none"> <li>• at 24 V rated value</li> <li>• at 48 V rated value</li> <li>• at 60 V rated value</li> <li>• at 110 V rated value</li> <li>• at 125 V rated value</li> <li>• at 220 V rated value</li> <li>• at 600 V rated value</li> </ul>	10 A 2 A 2 A 1 A 0.9 A 0.3 A 0.1 A
<b>contact reliability of auxiliary contacts</b>	1 faulty switching per 100 million (17 V, 1 mA)

### UL/CSA ratings

<b>Full-load current (FLA) for three-phase AC motor</b>	
<ul style="list-style-type: none"> <li>• at 480 V rated value</li> <li>• at 600 V rated value</li> </ul>	124 A 125 A
<b>Yielded mechanical performance [hp]</b>	
<ul style="list-style-type: none"> <li>• for single-phase AC motor               <ul style="list-style-type: none"> <li>— at 230 V rated value</li> </ul> </li> <li>• for three-phase AC motor               <ul style="list-style-type: none"> <li>— at 200/208 V rated value</li> <li>— at 220/230 V rated value</li> <li>— at 460/480 V rated value</li> <li>— at 575/600 V rated value</li> </ul> </li> </ul>	25 hp 40 hp 50 hp 100 hp 125 hp
<b>Contact rating of auxiliary contacts according to UL</b>	A600 / Q600

### Short-circuit protection

<b>Design of the fuse link</b>	
<ul style="list-style-type: none"> <li>• for short-circuit protection of the main circuit               <ul style="list-style-type: none"> <li>— with type of coordination 1 required</li> <li>— with type of assignment 2 required</li> </ul> </li> <li>• for short-circuit protection of the auxiliary switch required</li> </ul>	gG: 355 A (690 V, 100 kA) gG: 250 A (690 V, 100 kA), aM: 200 A (690 V, 50 kA), BS88: 250 A (415 V, 50 kA) gG: 10 A (500 V, 1 kA)

### Installation/ mounting/ dimensions

<ul style="list-style-type: none"> <li>• <b>mounting position</b></li> </ul>	with vertical mounting surface +/-90° rotatable, with vertical mounting surface +/- 22.5° tiltable to the front and back
<b>Mounting type</b> <ul style="list-style-type: none"> <li>• Side-by-side mounting</li> </ul>	screw fixing Yes
<b>Height</b>	172 mm
<b>Width</b>	120 mm
<b>Depth</b>	170 mm
<b>Required spacing</b> <ul style="list-style-type: none"> <li>• with side-by-side mounting <ul style="list-style-type: none"> <li>— forwards 20 mm</li> <li>— upwards 10 mm</li> <li>— downwards 10 mm</li> <li>— at the side 0 mm</li> </ul> </li> <li>• for grounded parts <ul style="list-style-type: none"> <li>— forwards 20 mm</li> <li>— upwards 10 mm</li> <li>— at the side 10 mm</li> <li>— downwards 10 mm</li> </ul> </li> <li>• for live parts <ul style="list-style-type: none"> <li>— forwards 20 mm</li> <li>— upwards 10 mm</li> <li>— downwards 10 mm</li> <li>— at the side 10 mm</li> </ul> </li> </ul>	

Connections/ Terminals	
<ul style="list-style-type: none"> <li>• Type of electrical connection for main current circuit</li> </ul>	box terminal
<ul style="list-style-type: none"> <li>• Type of electrical connection for auxiliary and control current circuit</li> </ul>	screw-type terminals
<ul style="list-style-type: none"> <li>• Type of electrical connection at contactor for auxiliary contacts</li> </ul>	Screw-type terminals
<ul style="list-style-type: none"> <li>• Type of electrical connection of magnet coil</li> </ul>	Screw-type terminals
<b>Type of connectable conductor cross-sections</b> <ul style="list-style-type: none"> <li>• for main contacts <ul style="list-style-type: none"> <li>— stranded max. 1x 50, 1x 70 mm<sup>2</sup></li> <li>— finely stranded with core end processing max. 1x 50, 1x 70 mm<sup>2</sup></li> <li>— finely stranded without core end processing max. 1x 50, 1x 70 mm<sup>2</sup></li> </ul> </li> <li>• at AWG conductors for main contacts 2x 1/0</li> </ul>	
<b>Connectable conductor cross-section for main contacts</b> <ul style="list-style-type: none"> <li>• stranded 16 ... 70 mm<sup>2</sup></li> <li>• finely stranded with core end processing 16 ... 70 mm<sup>2</sup></li> </ul>	



<ul style="list-style-type: none"> <li>finely stranded without core end processing</li> </ul>	16 ... 70 mm <sup>2</sup>
<b>Connectable conductor cross-section for auxiliary contacts</b>	
<ul style="list-style-type: none"> <li>single or multi-stranded</li> </ul>	0.5 ... 4 mm <sup>2</sup>
<ul style="list-style-type: none"> <li>finely stranded with core end processing</li> </ul>	0.5 ... 2.5 mm <sup>2</sup>
<b>Type of connectable conductor cross-sections</b>	
<ul style="list-style-type: none"> <li>for auxiliary contacts <ul style="list-style-type: none"> <li>— solid</li> <li>— single or multi-stranded</li> <li>— finely stranded with core end processing</li> </ul> </li> <li>at AWG conductors for auxiliary contacts</li> </ul>	2x (0.5 ... 1.5 mm <sup>2</sup> ), 2x (0.75 ... 2.5 mm <sup>2</sup> ), max. 2x (0.75 ... 4 mm <sup>2</sup> ) 2x (0,5 ... 1,5 mm <sup>2</sup> ), 2x (0,75 ... 2,5 mm <sup>2</sup> ), max. 2x (0,75 ... 4 mm <sup>2</sup> ) 2x (0.5 ... 1.5 mm <sup>2</sup> ), 2x (0.75 ... 2.5 mm <sup>2</sup> ) 2x (20 ... 16), 2x (18 ... 14), 1x 12
<b>AWG number as coded connectable conductor cross section</b>	
<ul style="list-style-type: none"> <li>for auxiliary contacts</li> </ul>	18 ... 14

#### Safety related data

<b>B10 value</b>	
<ul style="list-style-type: none"> <li>with high demand rate acc. to SN 31920</li> </ul>	1 000 000
<b>Product function</b>	
<ul style="list-style-type: none"> <li>Mirror contact acc. to IEC 60947-4-1</li> <li>positively driven operation acc. to IEC 60947-5-1</li> </ul>	Yes No
<b>Protection against electrical shock</b>	finger-safe when touched vertically from front acc. to IEC 60529
Suitability for use safety-related switching OFF	Yes

#### Certificates/ approvals

General Product Approval	EMC	Functional Safety/Safety of Machinery
--------------------------	-----	---------------------------------------



[Type Examination Certificate](#)

Declaration of Conformity	Test Certificates	Marine / Shipping
---------------------------	-------------------	-------------------



[Miscellaneous](#)

[Type Test Certificates/Test Report](#)

[Special Test Certificate](#)



Marine / Shipping	other	Railway
-------------------	-------	---------



[Confirmation](#)

[Miscellaneous](#)

[Special Test Certificate](#)

## Further information

### Information- and Downloadcenter (Catalogs, Brochures,...)

<https://www.siemens.com/ic10>

### Industry Mall (Online ordering system)

<https://mall.industry.siemens.com/mall/en/en/Catalog/product?mlfb=3RT1054-1AU36>

### Cax online generator

<http://support.automation.siemens.com/WW/CAXorder/default.aspx?lang=en&mlfb=3RT1054-1AU36>

### Service&Support (Manuals, Certificates, Characteristics, FAQs,...)

<https://support.industry.siemens.com/cs/ww/en/ps/3RT1054-1AU36>

### Image database (product images, 2D dimension drawings, 3D models, device circuit diagrams, EPLAN macros, ...)

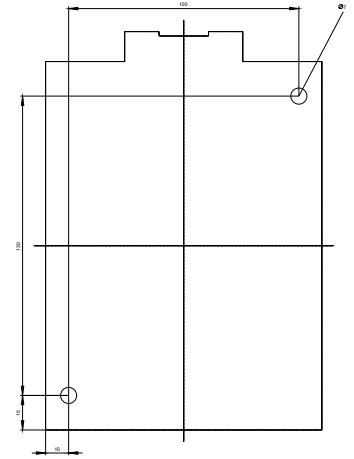
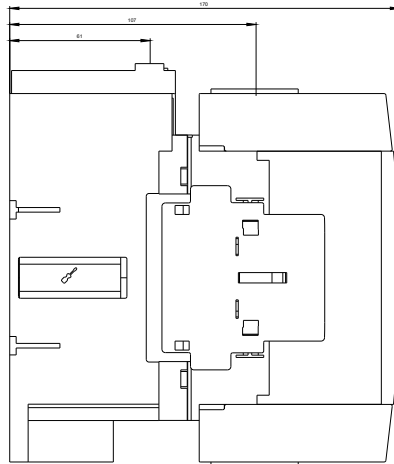
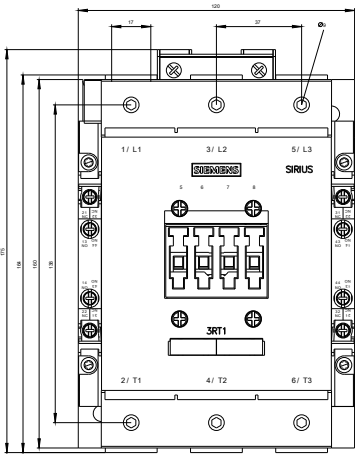
[http://www.automation.siemens.com/bilddb/cax\\_de.aspx?mlfb=3RT1054-1AU36&lang=en](http://www.automation.siemens.com/bilddb/cax_de.aspx?mlfb=3RT1054-1AU36&lang=en)

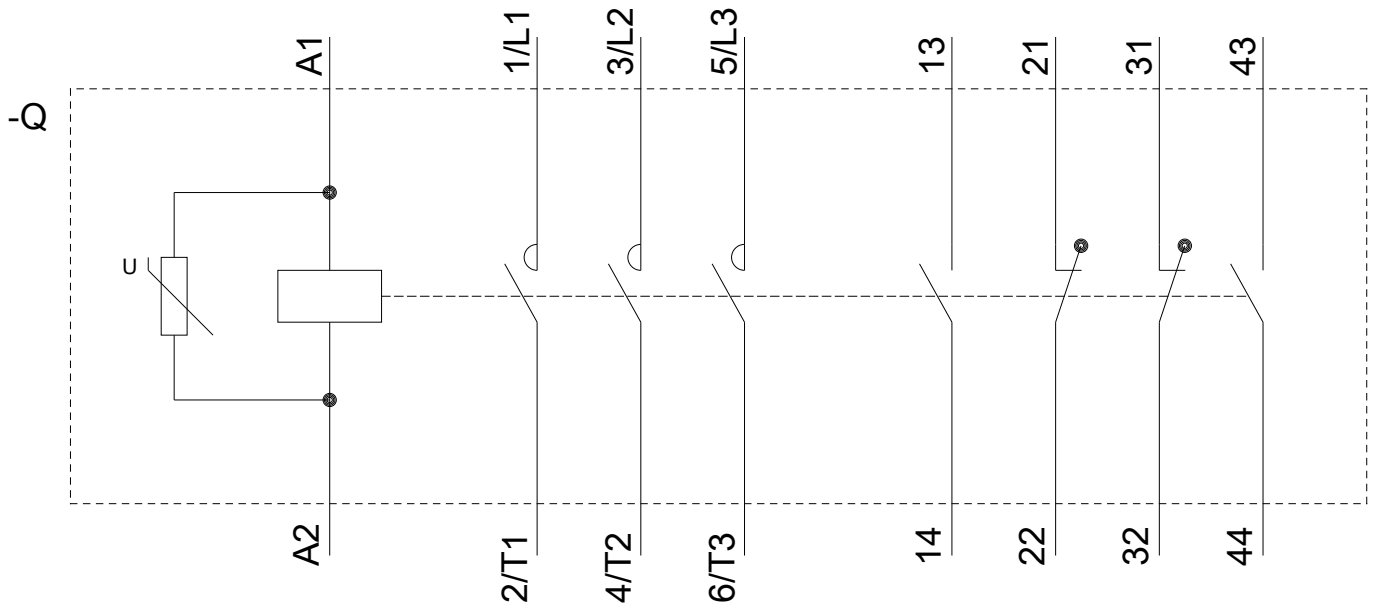
### Characteristic: Tripping characteristics, I<sup>t</sup>, Let-through current

<https://support.industry.siemens.com/cs/ww/en/ps/3RT1054-1AU36/char>

### Further characteristics (e.g. electrical endurance, switching frequency)

<http://www.automation.siemens.com/bilddb/index.aspx?view=Search&mlfb=3RT1054-1AU36&objecttype=14&gridview=view1>





last modified:

08/13/2020