

Safety position switch with separate actuator Molded-plastic enclosure lateral and face-end Slow-action contacts 1 NO+2 NC, 3 x (M20 x 1.5) Pull-out force 30 N Supplied without actuator



Product brand name	SIRIUS
Product designation	safety position switch
Suitability for use safety switch	Yes

General technical data

Insulation voltage	
• rated value	500 V
Surge voltage resistance rated value	6 kV
Protection class IP	IP67
Mechanical service life (switching cycles)	
• typical	1 000 000
Thermal current	10 A
Reference code acc. to DIN EN 81346-2	B
Reference code acc. to DIN EN 61346-2	B
Active principle	mechanical
Length of the sensor	90 mm
Width of the sensor	52 mm
Design of the switching contact	mechanical
Operating frequency rated value	60 ... 50 Hz
Number of NC contacts for auxiliary contacts	2

Number of NO contacts for auxiliary contacts	1
Operating current at AC-15	
• at 230 V rated value	4 A
Operating current at DC-13	
• at 24 V rated value	4 A
Design of the interface for safety-related communication	without

Enclosure

Design of the housing	wide
Material of the enclosure	glass fiber reinforced thermoplast
Coating of the enclosure	Other types
Design of the housing acc. to standard	No

Drive Head

Design of the operating mechanism	without
Design of the switching function	positive opening
Circuit principle	slow-action contacts
Number of switching contacts safety-related	1

Connections/ Terminals

Type of electrical connection	screw-type terminals
Type of connectable conductor cross-sections	
• solid	2x (0.75 ... 2.5 mm ²)
• finely stranded with core end processing	2x (0.75 ... 2.5 mm ²)
Cable entry type	3 x (M20 x 1.5)

Communication/ Protocol

Design of the interface	without
--------------------------------	---------

Ambient conditions

Ambient temperature	
• during operation	-30 ... +80 °C
• during storage	-30 ... +80 °C
Explosion protection category for dust	none

Installation/ mounting/ dimensions

Mounting position	any
Mounting type	screw fixing

Certificates/ approvals

General Product Approval

Declaration of Conformity



CCC



CSA



UL



EG-Konf.

[Miscellaneous](#)

Test Certificates

Marine / Shipping

[Miscellaneous](#)



ABS



LRS



PRS



RINA



DNV-GL
DNVGL.COM/AF

other

[Confirmation](#)

Further information

Information- and Downloadcenter (Catalogs, Brochures,...)

<https://www.siemens.com/ic10>

Industry Mall (Online ordering system)

<https://mall.industry.siemens.com/mall/en/en/Catalog/product?mlfb=3SE2243-0XX>

Cax online generator

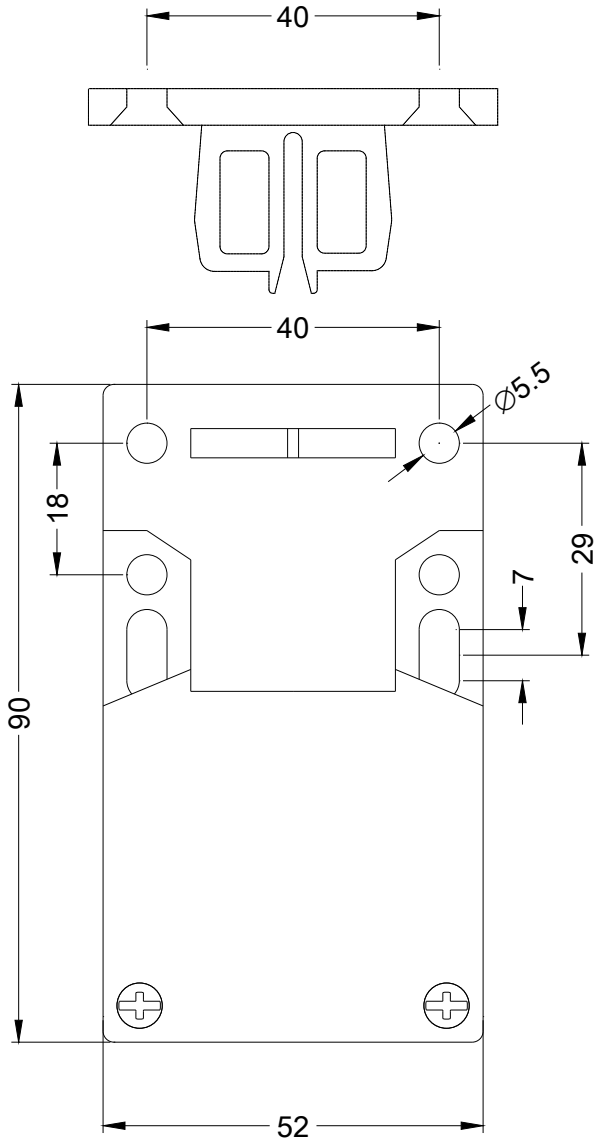
<http://support.automation.siemens.com/WW/CAXorder/default.aspx?lang=en&mlfb=3SE2243-0XX>

Service&Support (Manuals, Certificates, Characteristics, FAQs,...)

<https://support.industry.siemens.com/cs/ww/en/ps/3SE2243-0XX>

Image database (product images, 2D dimension drawings, 3D models, device circuit diagrams, EPLAN macros, ...)

http://www.automation.siemens.com/bilddb/cax_de.aspx?mlfb=3SE2243-0XX&lang=en



last modified:

08/05/2020

