



stainless steel actuator IP69 (K), standard, geometry-optimized, suitable for extreme environmental conditions such as minus 40 degree with increased corrosion protection, for safety position switch 3SE53 and AS-i 3SF13 and safety position switch with separate actuator without tumbler 3SE51/52 and AS-i 3SF11/3SF12

Product brand name	SIRIUS
Product designation	actuator
Product type designation	3SE5

### General technical data

<b>Shock resistance</b>	
• acc. to IEC 60068-2-27	30 g / 11 ms
<b>Vibration resistance</b>	
• acc. to IEC 60068-2-6	0.35 mm/5g
<b>Mechanical service life (switching cycles)</b>	
• typical	1 000 000
<b>Reference code acc. to DIN EN 81346-2</b>	T
<b>Reference code acc. to DIN EN 61346-2</b>	T
<b>Active principle</b>	mechanical

### Drive Head

<b>Design of the operating mechanism</b>	Standard actuator, stainless steel
--	------------------------------------

### Ambient conditions

<b>Ambient temperature</b>	
• during operation	-40 ... +85 °C





- during storage

-40 ... +90 °C

### Installation/ mounting/ dimensions

Mounting position	any
Mounting type	screw fixing

### Certificates/ approvals

General Product Approval			Declaration of Conformity		other
				<a href="#">Miscellaneous</a>	<a href="#">Confirmation</a>
CSA	UR		EG-Konf.		

### Further information

#### Information- and Downloadcenter (Catalogs, Brochures,...)

<https://www.siemens.com/ic10>

#### Industry Mall (Online ordering system)

<https://mall.industry.siemens.com/mall/en/en/Catalog/product?mlfb=3SE5000-0AW51>

#### Cax online generator

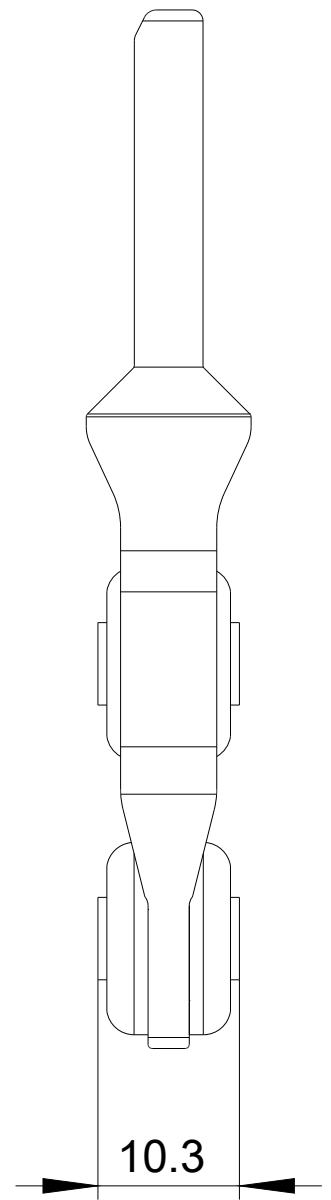
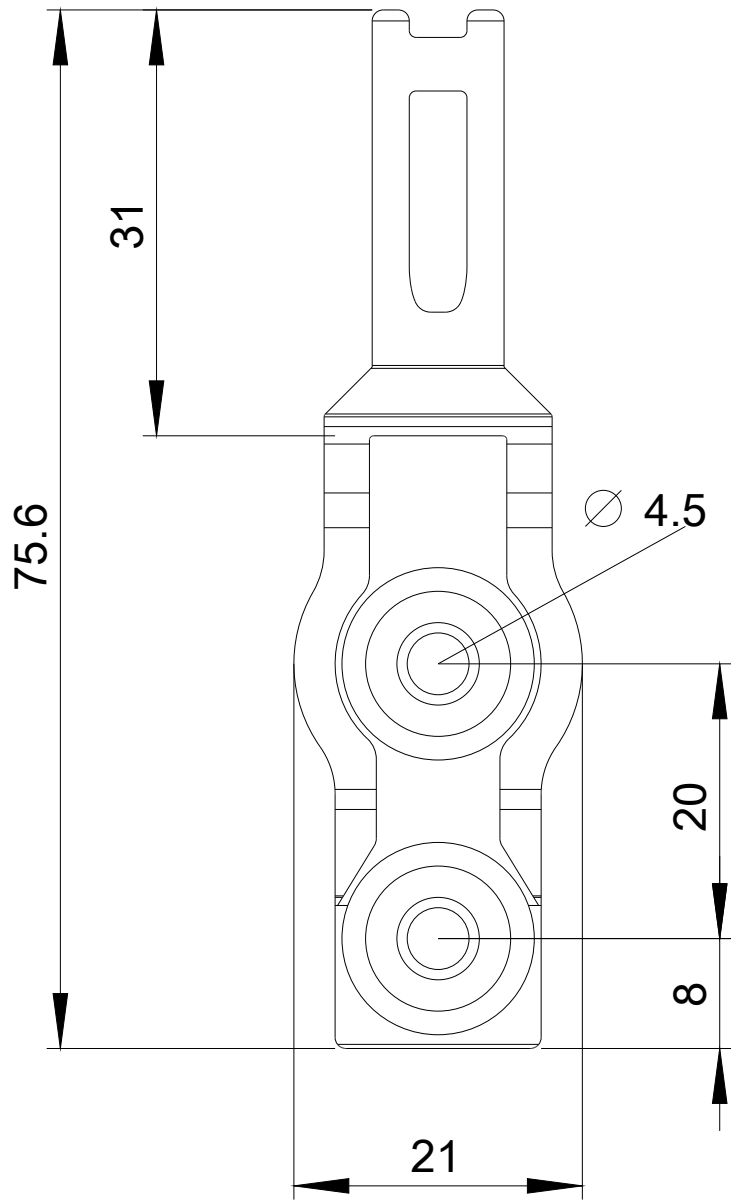
<http://support.automation.siemens.com/WW/CAXorder/default.aspx?lang=en&mlfb=3SE5000-0AW51>

#### Service&Support (Manuals, Certificates, Characteristics, FAQs,...)

<https://support.industry.siemens.com/cs/ww/en/ps/3SE5000-0AW51>

#### Image database (product images, 2D dimension drawings, 3D models, device circuit diagrams, EPLAN macros, ...)

[http://www.automation.siemens.com/bilddb/cax\\_de.aspx?mlfb=3SE5000-0AW51&lang=en](http://www.automation.siemens.com/bilddb/cax_de.aspx?mlfb=3SE5000-0AW51&lang=en)



last modified:

08/19/2020