

Position switch Metal enclosure 56 mm wide Device connection 3x (M20x 1.5) 1 NO/1 NC slow-action contacts Rotary actuator right/left adjustable, with adjustable-length metal lever 100 mm long and with positive fit (grid hole) and plastic roller 19 mm



|  |   |
|--|---|
| <b>product brand name</b>  | SIRIUS  |
| <b>product designation</b>   | Mechanical position switches  |
| <b>product type designation</b>  | 3SE5  |
| <ul style="list-style-type: none"> <li>• manufacturer's article number of the supplied basic switch</li> <li>• Manufacturer's article number of the supplied actuator head for position switches</li> <li>• Manufacturer's article number of the supplied operating lever</li> <li>• Manufacturer's article number of the supplied switching contacts</li> <li>• Manufacturer's article number of the supplied empty enclosure with cover</li> </ul> | <a href="#">3SE5122-0BA00</a><br><br><a href="#">3SE5000-0AH00</a><br><br><a href="#">3SE5000-0AA60</a><br><br><a href="#">3SE5000-0BA00</a><br><br><a href="#">3SE5122-0AA00</a> |
| suitability for use safety switch  | Yes   |
| <b>General technical data</b>  |   |
| <ul style="list-style-type: none"> <li>• product function positive opening</li> </ul>  | Yes   |
| <b>insulation voltage</b>  |   |
| <ul style="list-style-type: none"> <li>• rated value</li> </ul>  | 400 V   |
| <b>degree of pollution</b>   | class 3   |

|  |  |
|--|--|
| <b>surge voltage resistance rated value</b>  | 6 kV   |
| <b>protection class IP</b>   | IP66/IP67  |
| <ul style="list-style-type: none"> <li>• shock resistance acc. to IEC 60068-2-27</li> </ul>                              | 30 g / 11 ms   |
| <b>vibration resistance</b>  |  |
| <ul style="list-style-type: none"> <li>• acc. to IEC 60068-2-6</li> </ul>  | 0.35 mm/5g   |
| <ul style="list-style-type: none"> <li>• mechanical service life (switching cycles) typical</li> </ul>                   | 15 000 000   |
| <ul style="list-style-type: none"> <li>• Electrical endurance (switching cycles) at AC-15 at 230 V typical</li> </ul>    | 100 000  |
| <b>Electrical endurance (switching cycles) with contactor 3RH11, 3RT1016, 3RT1017, 3RT1024, 3RT1025, 3RT1026 typical</b> | 10 000 000   |
| <b>Electrical operating cycles in one hour with contactor 3RH11, 3RT1016, 3RT1017, 3RT1024, 3RT1025, 3RT1026</b>         | 6 000  |
| <b>thermal current</b>   | 10 A   |
| <b>Material of the enclosure of the switch head</b>  | plastic  |
| <b>reference code acc. to DIN EN 81346-2</b>   | B  |
| <b>reference code acc. to DIN EN 61346-2</b>   | B  |
| <b>Continuous current of the C characteristic MCB</b>  | 1 A; for a short-circuit current smaller than 400 A  |
| <b>Continuous current of the quick DIAZED fuse link</b>  | 10 A; for a short-circuit current smaller than 400 A |
| <b>Continuous current of the DIAZED fuse link gG</b>   | 6 A  |
| <b>Active principle</b>  | mechanical   |
| <b>Repeat accuracy</b>   | 0.05 mm  |
| <b>minimum actuating torque in activation direction</b>  | 0.25 N·m   |
| <b>Length of the sensor</b>  | 192 mm   |
| <b>Width of the sensor</b>   | 56 mm  |
| <b>design of the switching contact</b>   | mechanical   |
| <b>operating frequency rated value</b>   | 50 ... 60 Hz   |
| <b>number of NC contacts for auxiliary contacts</b>  | 1  |
| <b>number of NO contacts for auxiliary contacts</b>  | 1  |
| <ul style="list-style-type: none"> <li>• Operating current at AC-15 at 24 V rated value</li> </ul>                       | 6 A  |
| <ul style="list-style-type: none"> <li>• Operating current at AC-15 at 125 V rated value</li> </ul>                      | 6 A  |
| <ul style="list-style-type: none"> <li>• Operating current at AC-15 at 240 V rated value</li> </ul>                      | 6 A  |
| <ul style="list-style-type: none"> <li>• Operating current at AC-15 at 400 V rated value</li> </ul>                      | 4 A  |
| <ul style="list-style-type: none"> <li>• Operating current at DC-13 at 24 V rated value</li> </ul>                       | 3 A  |
| <ul style="list-style-type: none"> <li>• Operating current at DC-13 at 125 V rated value</li> </ul>                      | 0.55 A   |
| <ul style="list-style-type: none"> <li>• Operating current at DC-13 at 250 V rated value</li> </ul>                      | 0.27 A   |
| <ul style="list-style-type: none"> <li>• Operating current at DC-13 at 400 V rated value</li> </ul>                      | 0.12 A   |

|  |         |
|--|---------|
| Design of the interface for safety-related communication | without |
|--|---------|

### Enclosure

|  |                            |
|--|----------------------------|
| Design of the housing                  | block, wide                |
| material of the enclosure              | metal                      |
| coating of the enclosure               | cathodic immersion coating |
| Design of the housing acc. to standard | No                         |

### Drive Head

|   |   |
|---|---|
| design of the operating mechanism           | Adjustable twist lever, adjustable-length metal lever with latching, plastic roller 19 mm |
| Standard-compliant actuator head            | EN 50041, design A  |
| Shape of the switch head                    | roller  |
| design of the switching function            | positive opening  |
| Circuit principle                           | slow-action contacts  |
| Number of switching contacts safety-related | 1   |

### Connections/ Terminals

|   |   |
|---|---|
| type of electrical connection   | screw-type terminals  |
| <ul style="list-style-type: none"> <li>• type of connectable conductor cross-sections solid</li> </ul>                                    | 1x (0.5 ... 1.5 mm <sup>2</sup> ), 2x (0.5 ... 0.75 mm <sup>2</sup> ) |
| <ul style="list-style-type: none"> <li>• Type of connectable conductor cross-sections finely stranded with core end processing</li> </ul> | 1x (0.5 ... 1.5 mm <sup>2</sup> ), 2x (0.5 ... 0.75 mm <sup>2</sup> ) |
| <ul style="list-style-type: none"> <li>• Type of connectable conductor cross-sections at AWG conductors solid</li> </ul>                  | 1x (20 ... 16), 2x (20 ... 18)  |
| <ul style="list-style-type: none"> <li>• type of connectable conductor cross-sections at AWG conductors stranded</li> </ul>               | 1x (20 ... 16), 2x (20 ... 18)  |
| cable entry type  | 3 x (M20 x 1.5)   |

### Communication/ Protocol

|                         |         |
|-------------------------|---------|
| design of the interface | without |
|-------------------------|---------|

### Ambient conditions

|  |                |
|--|----------------|
| <ul style="list-style-type: none"> <li>• ambient temperature during operation</li> </ul> | -25 ... +85 °C |
| <ul style="list-style-type: none"> <li>• ambient temperature during storage</li> </ul>   | -40 ... +90 °C |
| explosion protection category for dust   | none           |

### Installation/ mounting/ dimensions

|   |              |
|---|--------------|
| <ul style="list-style-type: none"> <li>• mounting position</li> </ul> | any          |
| <ul style="list-style-type: none"> <li>• mounting type</li> </ul>     | screw fixing |

### Certificates/ approvals

|                          |                                       |                           |
|--------------------------|---------------------------------------|---------------------------|
| General Product Approval | Functional Safety/Safety of Machinery | Declaration of Conformity |
|--------------------------|---------------------------------------|---------------------------|



[Type Examination Certificate](#)



|                           |                   |       |
|---------------------------|-------------------|-------|
| Declaration of Conformity | Test Certificates | other |
|---------------------------|-------------------|-------|

[Miscellaneous](#)

[Type Test Certificates/Test Report](#)

[Confirmation](#)

#### Further information

**Information- and Downloadcenter (Catalogs, Brochures,...)**

<https://www.siemens.com/ic10>

**Industry Mall (Online ordering system)**

<https://mall.industry.siemens.com/mall/en/en/Catalog/product?mlfb=3SE5122-0BH60>

**Cax online generator**

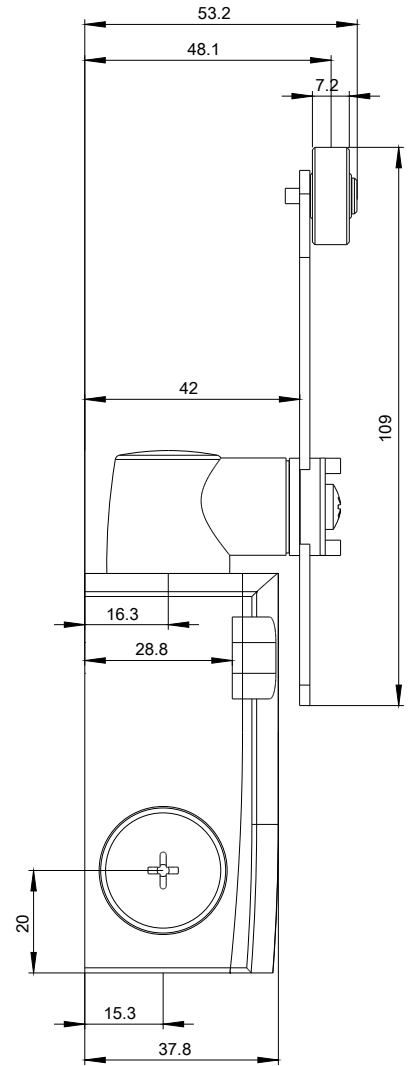
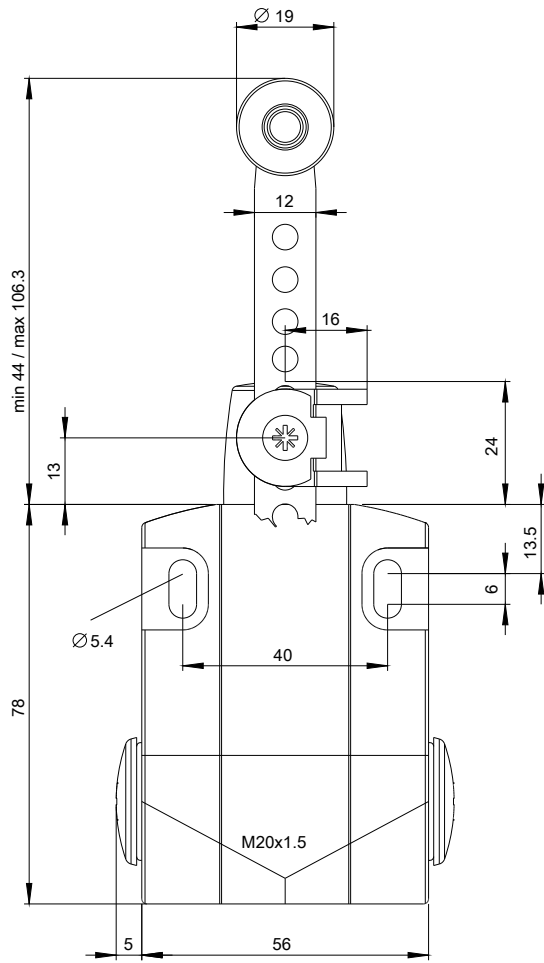
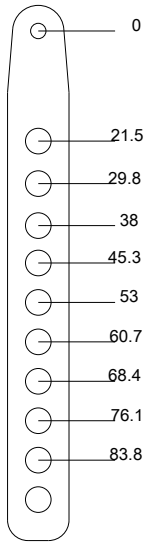
<http://support.automation.siemens.com/WW/CAXorder/default.aspx?lang=en&mlfb=3SE5122-0BH60>

**Service&Support (Manuals, Certificates, Characteristics, FAQs,...)**

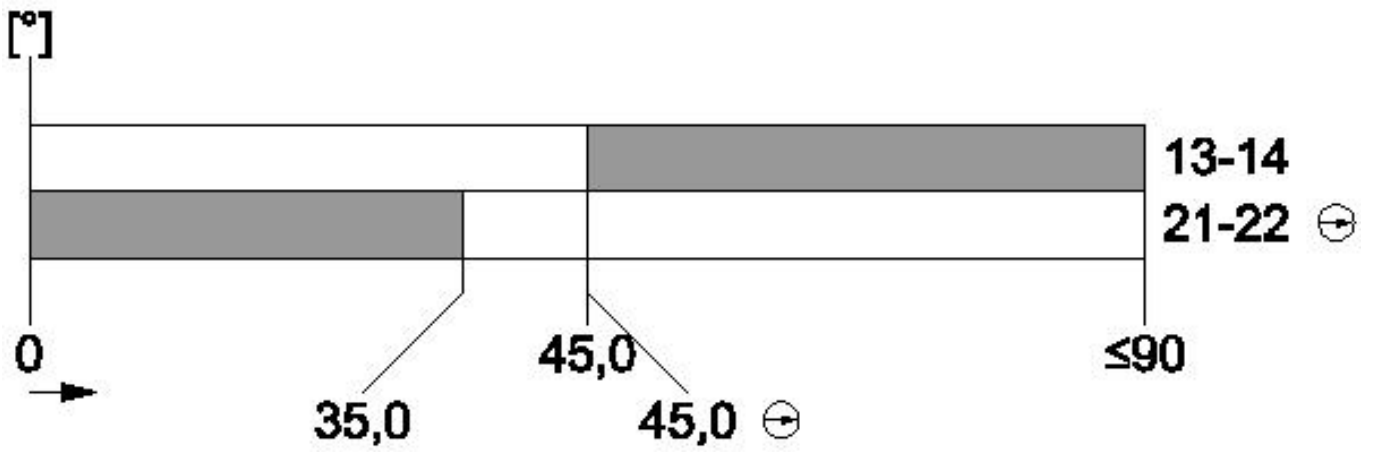
<https://support.industry.siemens.com/cs/ww/en/ps/3SE5122-0BH60>

**Image database (product images, 2D dimension drawings, 3D models, device circuit diagrams, EPLAN macros, ...)**

[http://www.automation.siemens.com/bilddb/cax\\_de.aspx?mlfb=3SE5122-0BH60&lang=en](http://www.automation.siemens.com/bilddb/cax_de.aspx?mlfb=3SE5122-0BH60&lang=en)







last modified:

08/05/2020