

supplementary handle for door mounted rotary operator  
EMERGENCY-OFF accessory for: 3VA55/3VA65/3VA66



Model	
Product brand name	SETRON
Product designation	Accessories
Product version	Additional handle for door-coupling rotary operating mechanism

Certificates		
General Product Approval	Declaration of Conformity	Shipping Approval

[Miscellaneous](#)



### Further information

**Information- and Downloadcenter (Catalogs, Brochures,...)**

<http://www.siemens.com/lowvoltage/catalogs>

**Industry Mall (Online ordering system)**

<https://mall.industry.siemens.com/mall/en/en/Catalog/product?mlfb=3VA9677-0GC05>

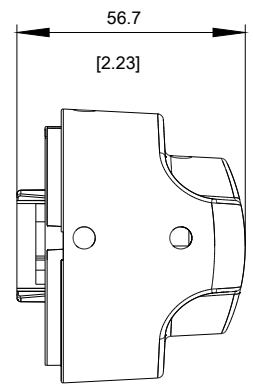
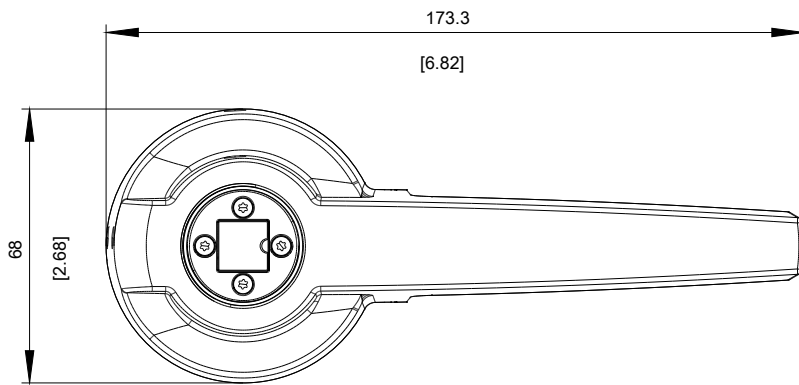
**Service&Support (Manuals, Certificates, Characteristics, FAQs,...)**

<https://support.industry.siemens.com/cs/ww/en/ps/3VA9677-0GC05>

Image database (product images, 2D dimension drawings, 3D models, device circuit diagrams, ...)  
[http://www.automation.siemens.com/bilddb/cax\\_en.aspx?mlfb=3VA9677-0GC05](http://www.automation.siemens.com/bilddb/cax_en.aspx?mlfb=3VA9677-0GC05)

CAx-Online-Generator  
<http://www.siemens.com/cax>

Tender specifications  
<http://www.siemens.com/specifications>



**last modified:**

08/29/2020