

Instrument isolating terminal, 6 mm² Passage Screw mounting 2 connections Isolating terminals 6 mm²

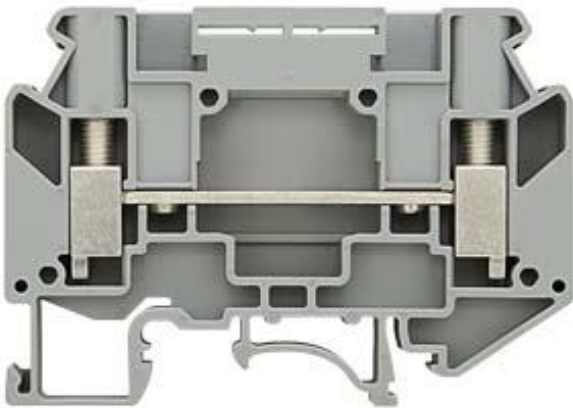


Figure similar

Model	
product brand name	ALPHA
Product designation	ALPHA FIX terminal blocks
Design of terminal / Terminal levels internally linked	No
General technical data	
Terminal contact spacing	6 mm
Operating voltage / rated value	800 V
Protection class	
Combustibility class acc. to UL 94	V0
Main circuit	
Operating current / rated value	41 A
Appearance	
Color	grey
Product details	
Product component / required / connection plate	Yes




Number	
Number of terminal levels	1
Number of terminal points / per terminal level	2

Connections	
Wire stripping length	10 mm
connectable conductor cross-section / solid	<ul style="list-style-type: none"> • minimum 0.5 mm² • maximum 10 mm²
connectable conductor cross-section / finely stranded	<ul style="list-style-type: none"> • with core end processing / minimum 0.5 mm² • with core end processing / maximum 6 mm²
Tightening torque / with screw-type terminals	<ul style="list-style-type: none"> • minimum 1.5 N·m • maximum 1.8 N·m
Type of electrical connection	<ul style="list-style-type: none"> • 1 screw-type terminal • 2 screw-type terminal
Position / of the terminal	lateral

Mechanical Design	
Height / with lowest-profile installation	48 mm
length	66.5 mm
Mounting type	DIN rail 35 mm
net weight	18.8 g
Material / of the insulating body	Thermoplast

Environmental conditions	
Ambient temperature / during operation	<ul style="list-style-type: none"> • minimum -25 °C • maximum 55 °C

Certificates	
Design tested acc. to type of protection / EEx e	No

General Product Approval	Declaration of Con- formity	other
		



[Miscellaneous](#)

Further information
Information- and Downloadcenter (Catalogs, Brochures,...) http://www.siemens.com/lowvoltage/catalogs

Industry Mall (Online ordering system)

<https://mall.industry.siemens.com/mall/en/en/Catalog/product?mlfb=8WH1000-7BH00>

Service&Support (Manuals, Certificates, Characteristics, FAQs,...)

<https://support.industry.siemens.com/cs/ww/en/ps/8WH1000-7BH00>

Image database (product images, 2D dimension drawings, 3D models, device circuit diagrams, ...)

http://www.automation.siemens.com/bilddb/cax_en.aspx?mlfb=8WH1000-7BH00

CAX-Online-Generator

<http://www.siemens.com/cax>

Tender specifications

<http://www.siemens.com/specifications>